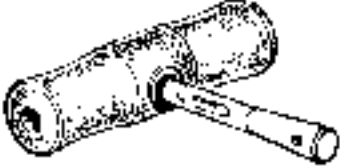
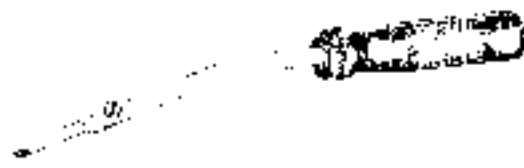
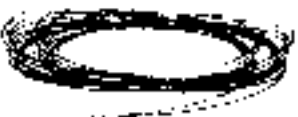



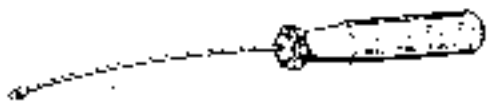


Recommended tooling for replacement of the windscreen

MATERIALS

| | Description | Supplier part number | MR500** part number |
|---|--|--|----------------------|
|  87 270 | Pulling handle | | |
|  81 270 | Retaining tool | STAHLWILLE STW 10351 | 55 70 00 |
|  87 270 | Piano wire for cutting | | |
|  87 274 | Pair of suckers for fitting the new windscreen | STOKVIS VALOREM BF 802 STAHLWILLE STW 10352 | 58 23 00 55 70 01 |
|  92 529 | Electric knife for removing windows | | |
|  92 523 | Windscreen blade | FEIN | 600 500 |

SPECIAL TOOLING

| | Description | Renault reference | Part number |
|--|-----------------|-------------------|---------------|
|  08 100 | Needle threader | Car. 1033 | 00 00 103 300 |

BONDING WINDOWS

(See section on "WINDOWS -Windscreen")

SINGLE POT PRODUCT

Part number 7701202273

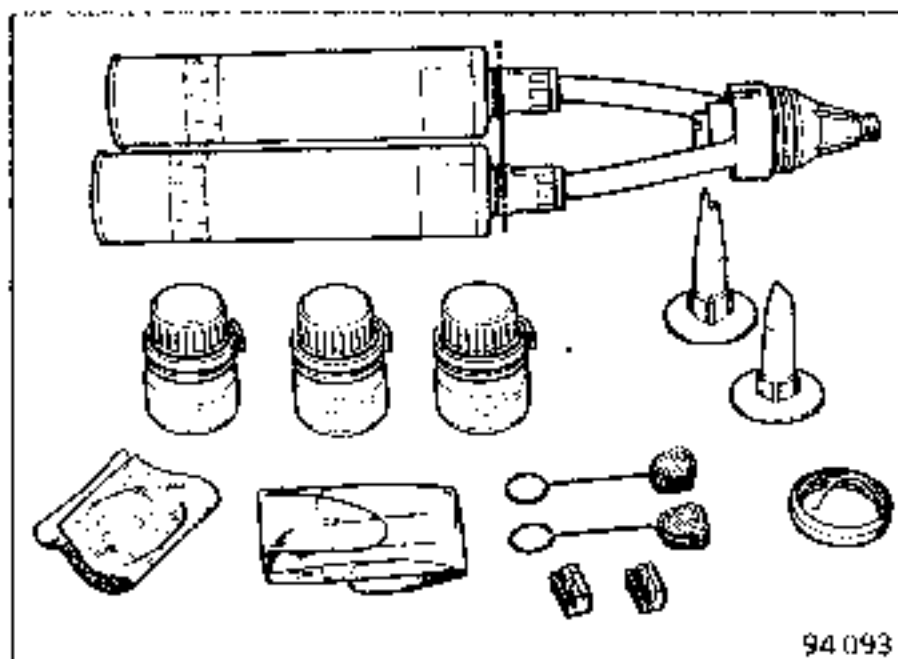
Bonding kit:

Comprising:

- 1 GURIT BETASEAL mastic cartridge, part number 71904 HV3
- 2 Nozzle for triangular sections
- 3 Bottle of glass primer, part number GURIT Betaprime 5001.
- 4 Bottle of metal primer part number GURIT 435-46
- 5 Bottle of degreaser part number GURIT VP 04 604
- 6 Degreasing cloth
- 7 Primer pads
- 8 Piano wire for cutting
- 9 Pair of gloves

TWO POT PRODUCTS

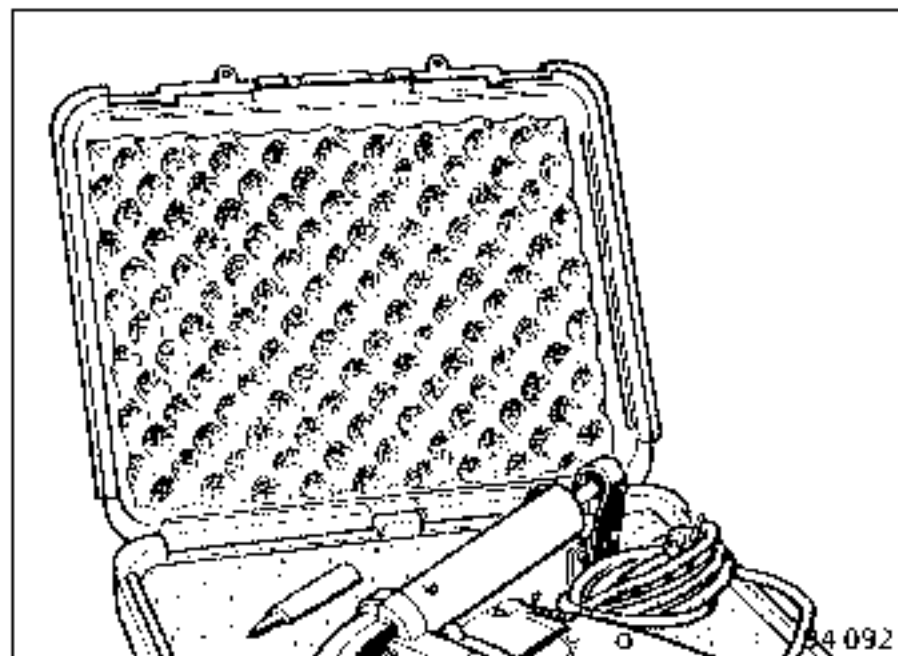
System layout



94 093

Part nos. : Large kit 450 ml : 77 01 422 389
Small kit 220 ml : 77 01 422 390

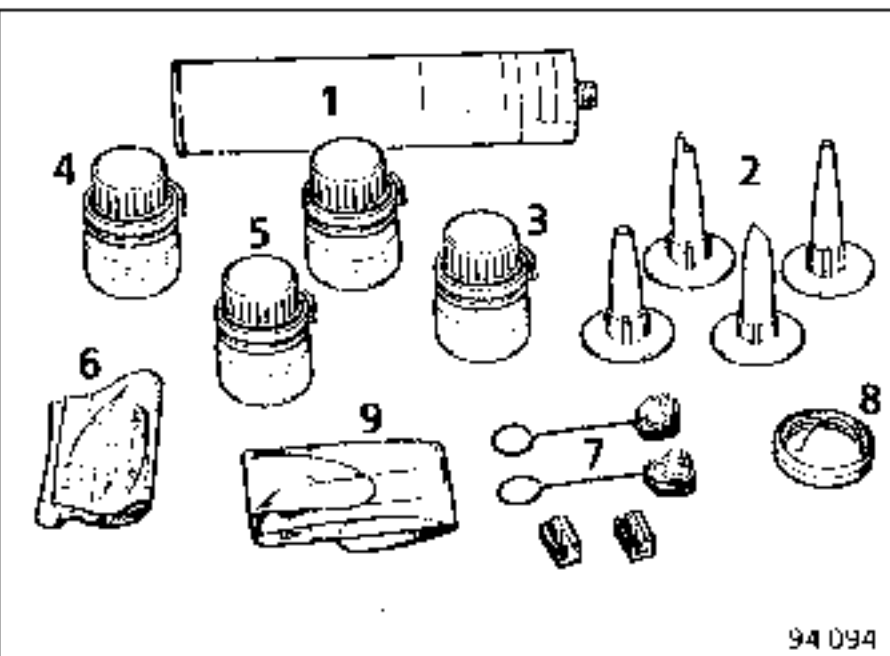
Materials



94 092

Composition of the kit

- 1 bonding mastic cartridge
- 1 accelerator mastic cartridge
- 1 Mixer
- 1 bottle of glass primer
- 1 bottle of metal primer (anti-corrosion)
- 1 bottle of degreaser
- 2 primer application pads
- 1 degreasing cloth
- 1 nozzle, pre-cut
- 1 nozzle, not cut
- 1 roll of cutting wire (5m.)
- 1 pair of gloves or 1 tube of barrier cream
- 2 shims R 25
- 1 220 V electric gun
- 1 retaining handle
- 1 carrying case
(see N.T. N° 210)

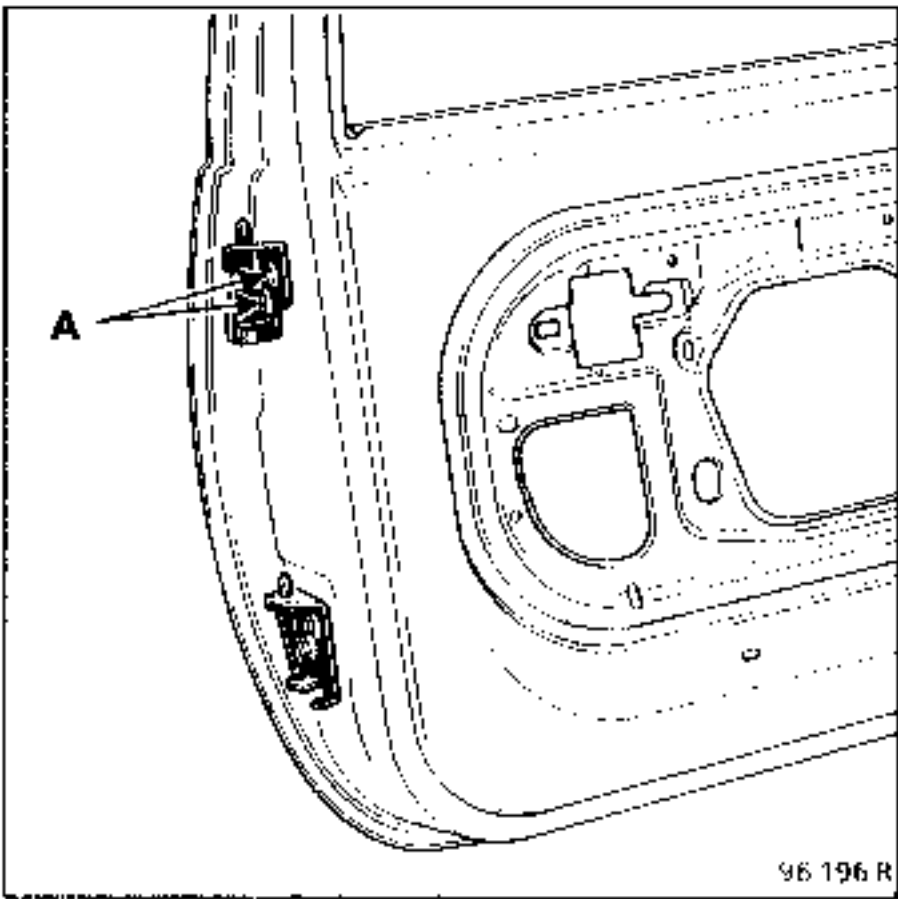
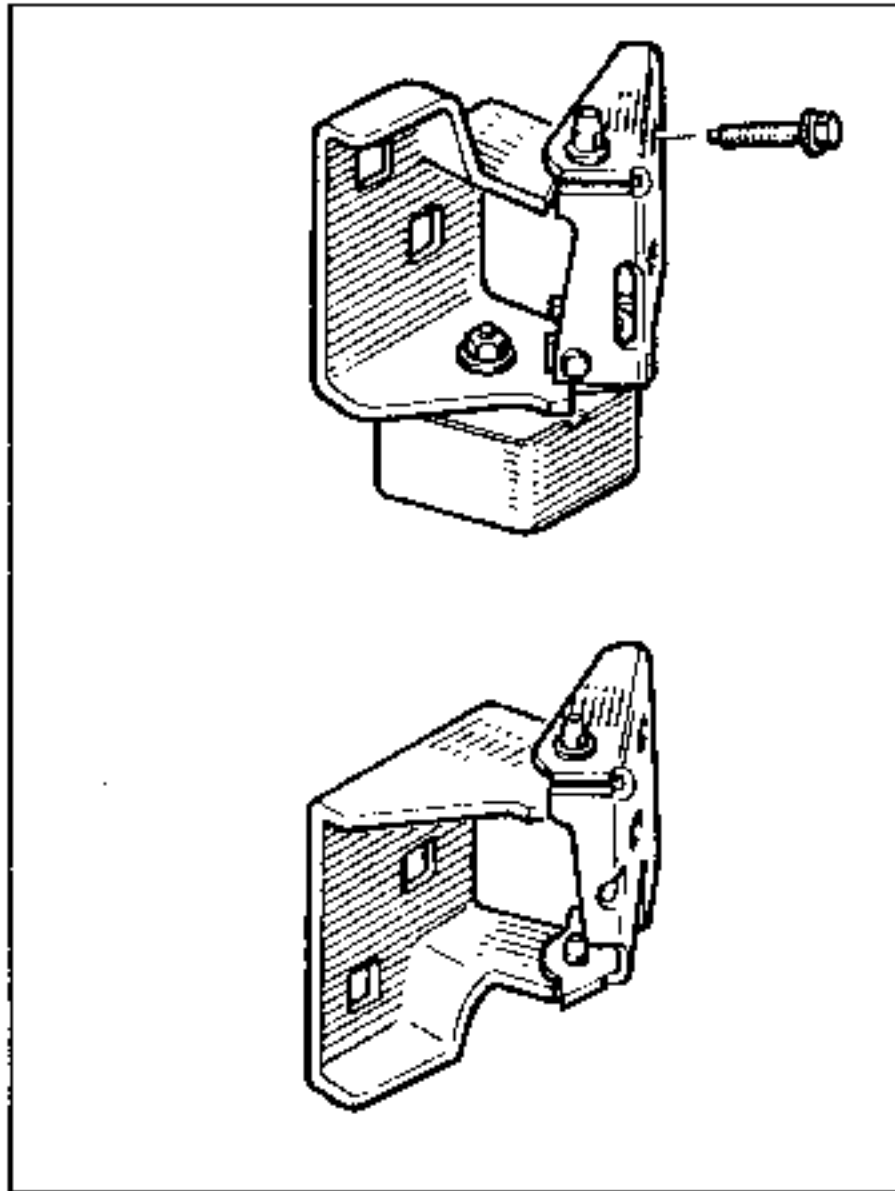


94 094

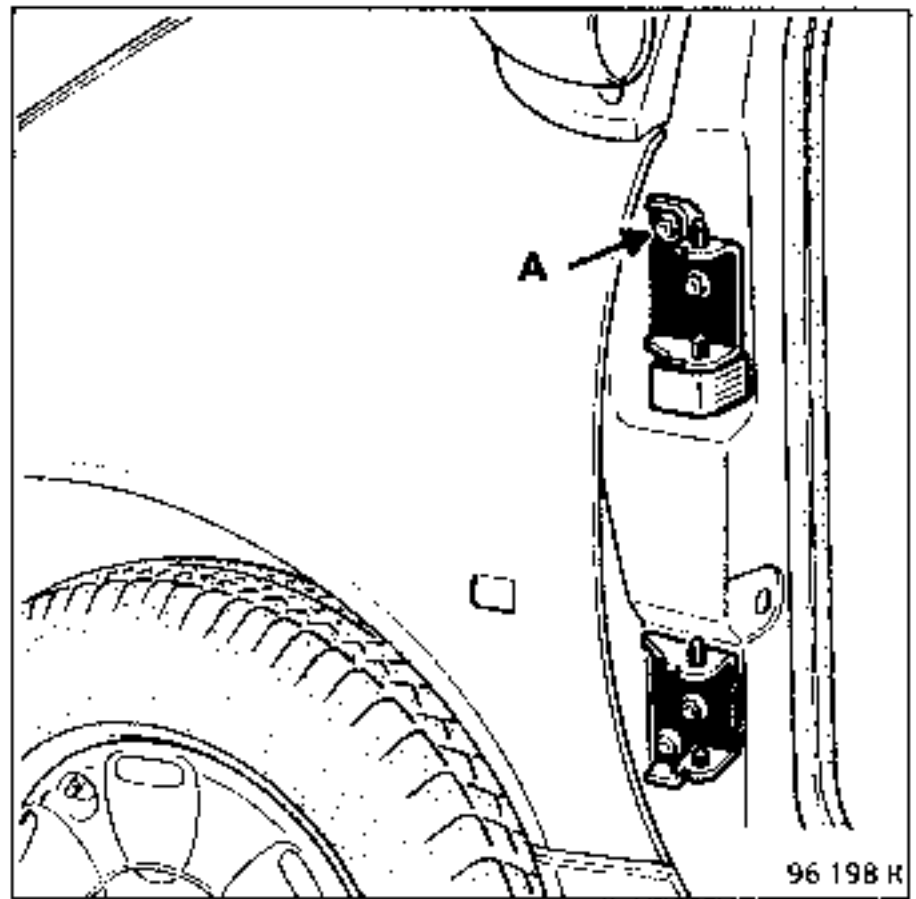
IMPORTANT : When replacing a windscreen, allow for a second cartridge of mastic. The large section of extruded mastic required may necessitate an additional cartridge.

Single mastic cartridge.

Part no 77 01 202 234



96 196 R



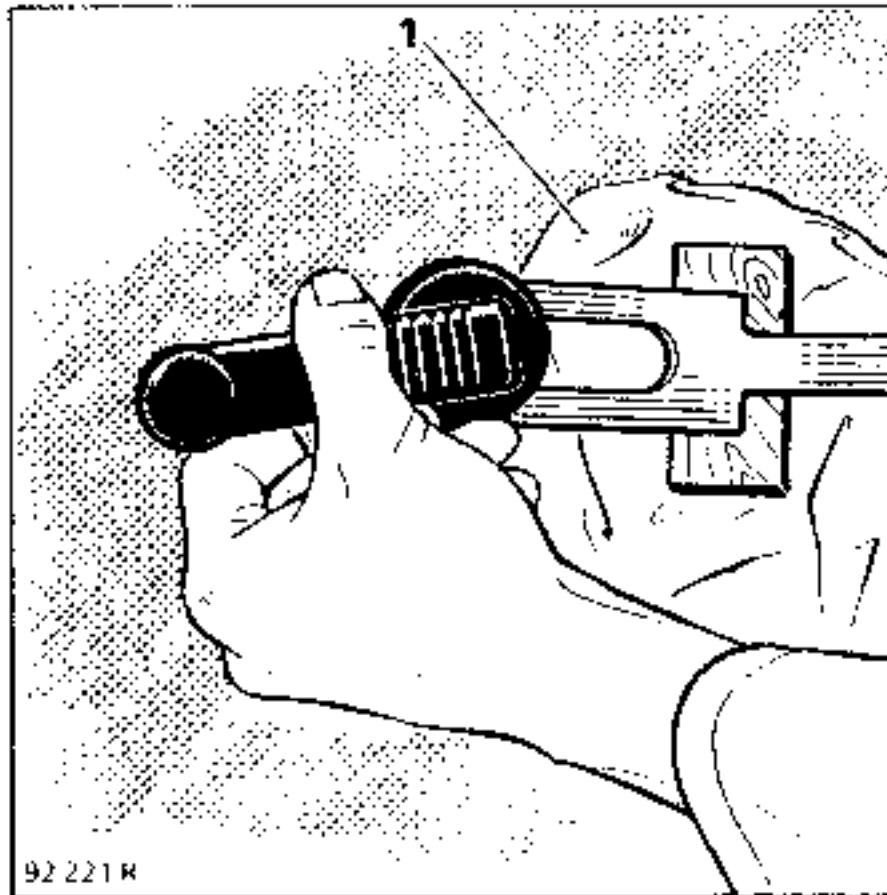
96 198 R

Door.

Front pillar

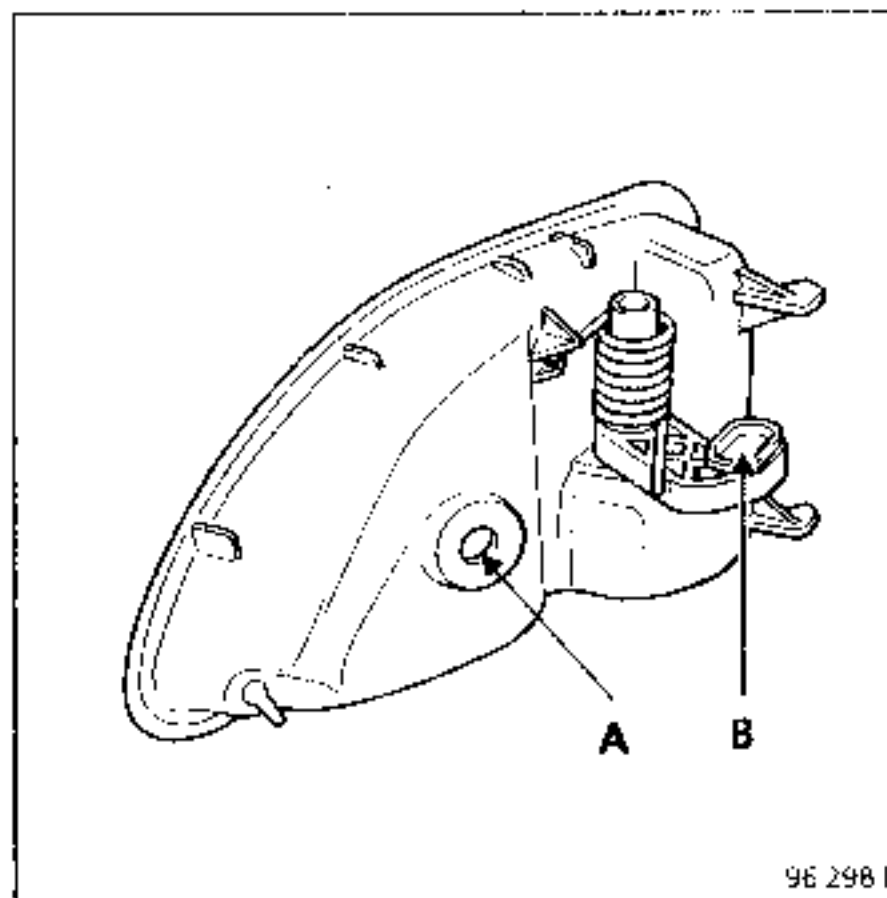
Remove bolts (A)

REMOVAL

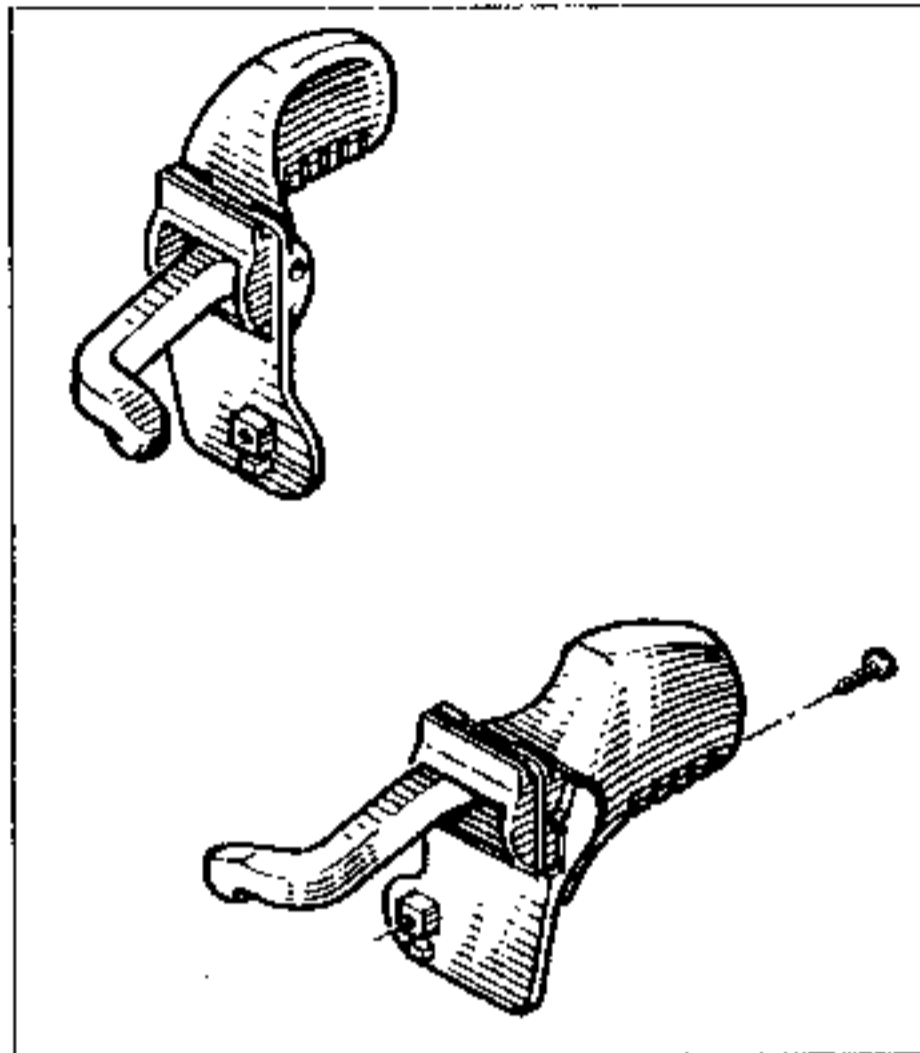


Using a fork made in the workshop or tool **FACOM D115**, lift to remove the winder handle, taking care to protect the trim using a cloth (1) and fitting a block between the cloth and the tool.

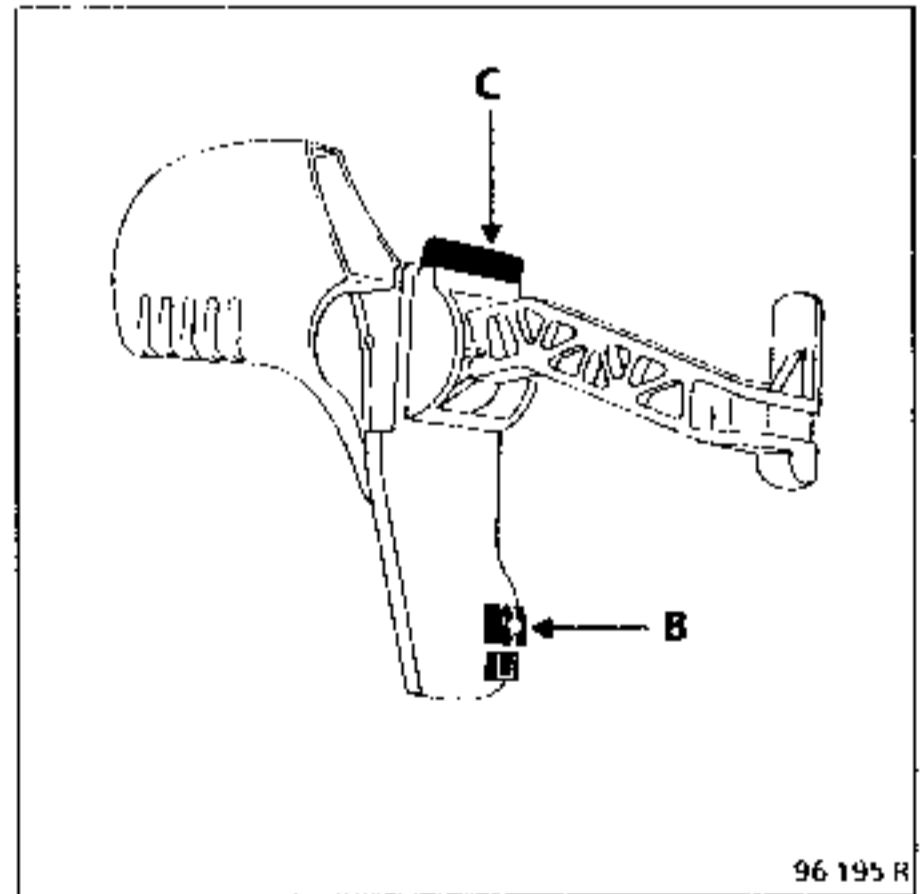
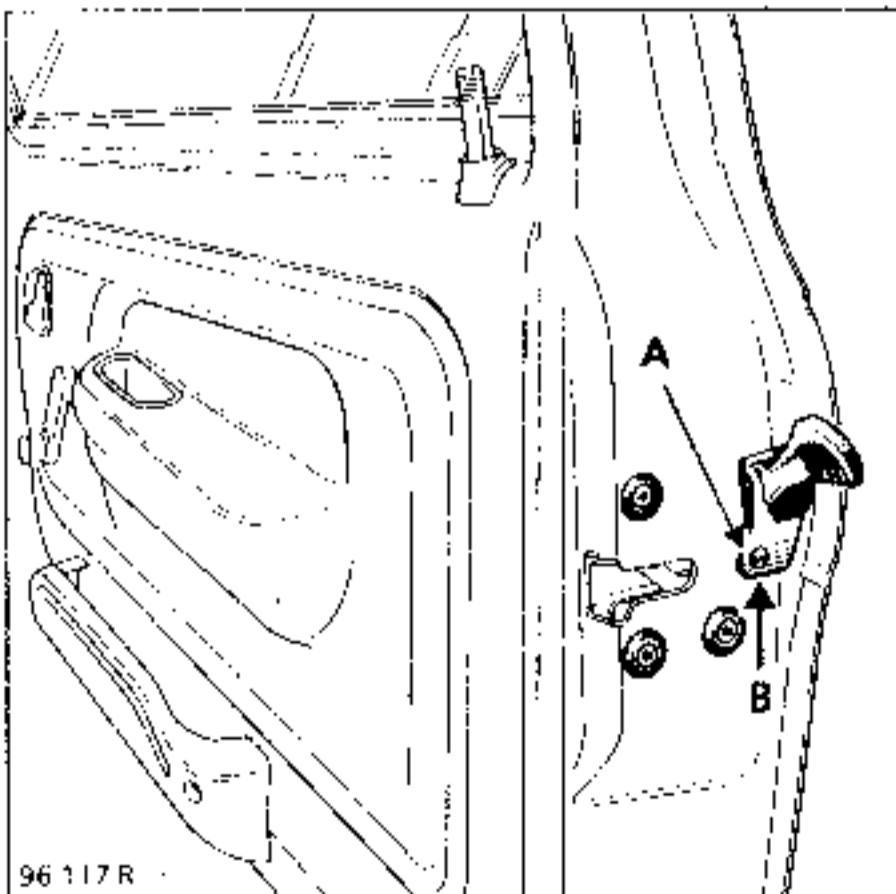
Internal door opening control



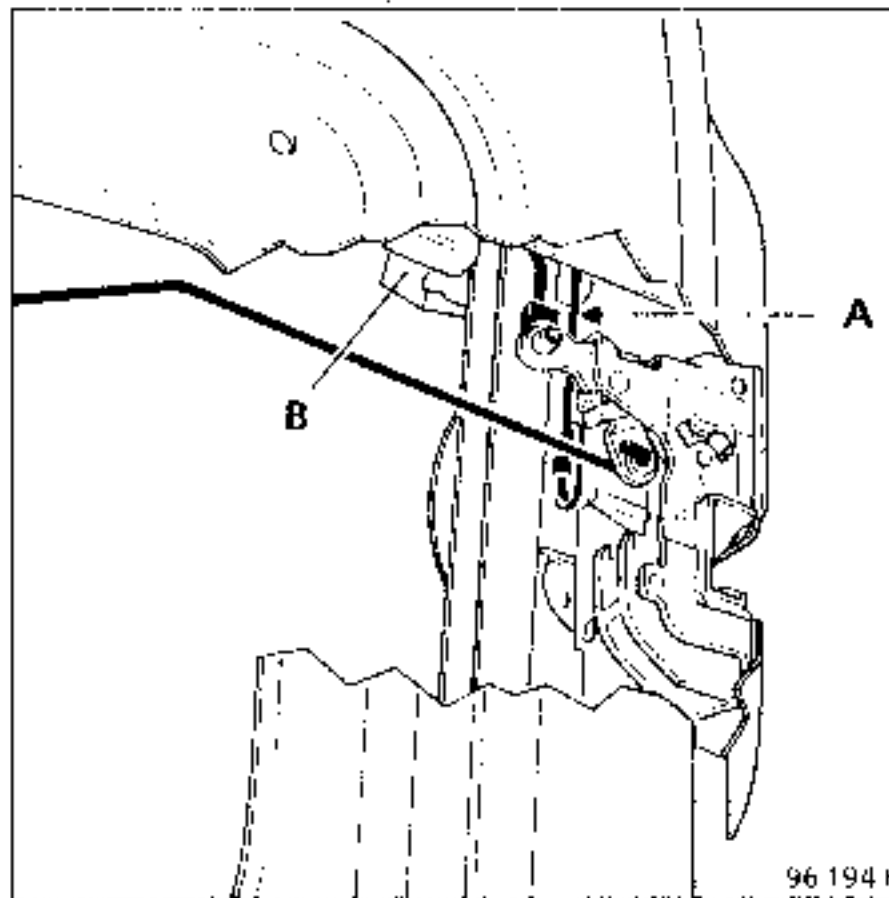
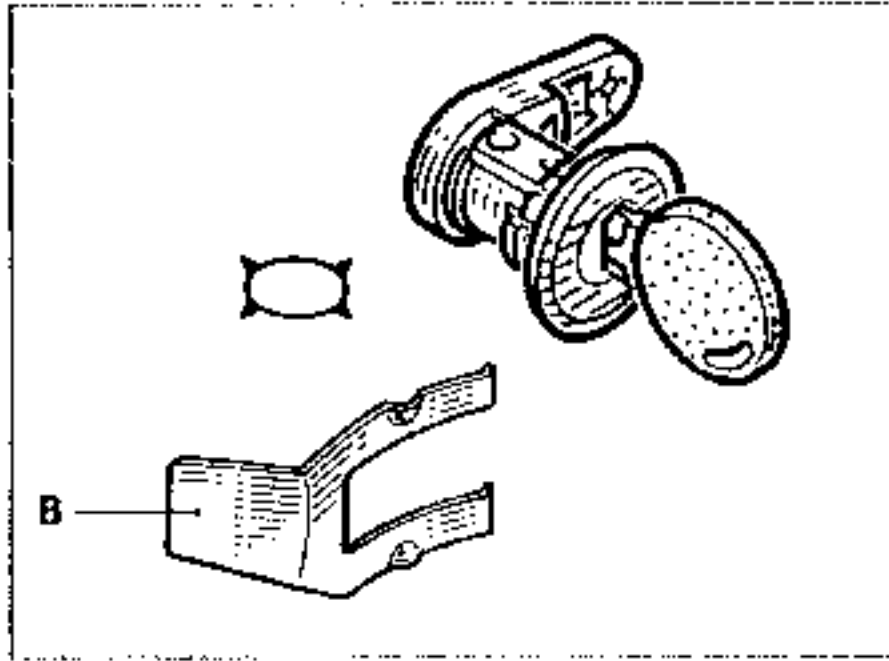
Remove the Torx 20 bolt (A)
Loosen the handle from the linkage (B).



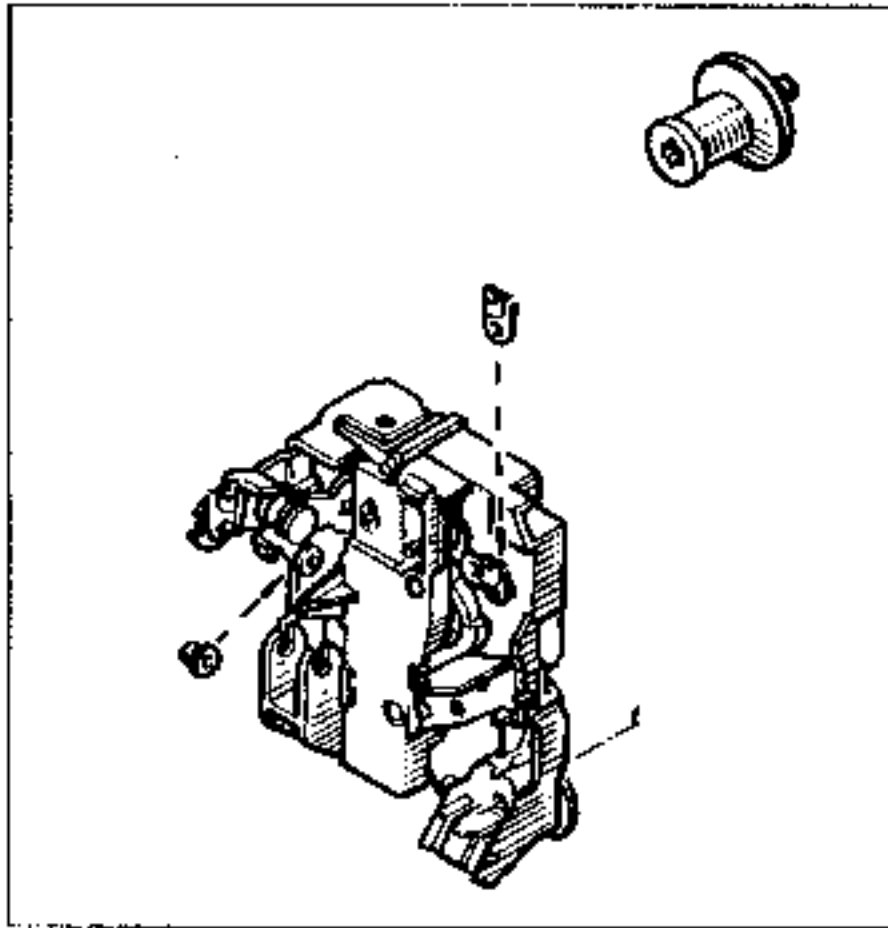
REMOVAL



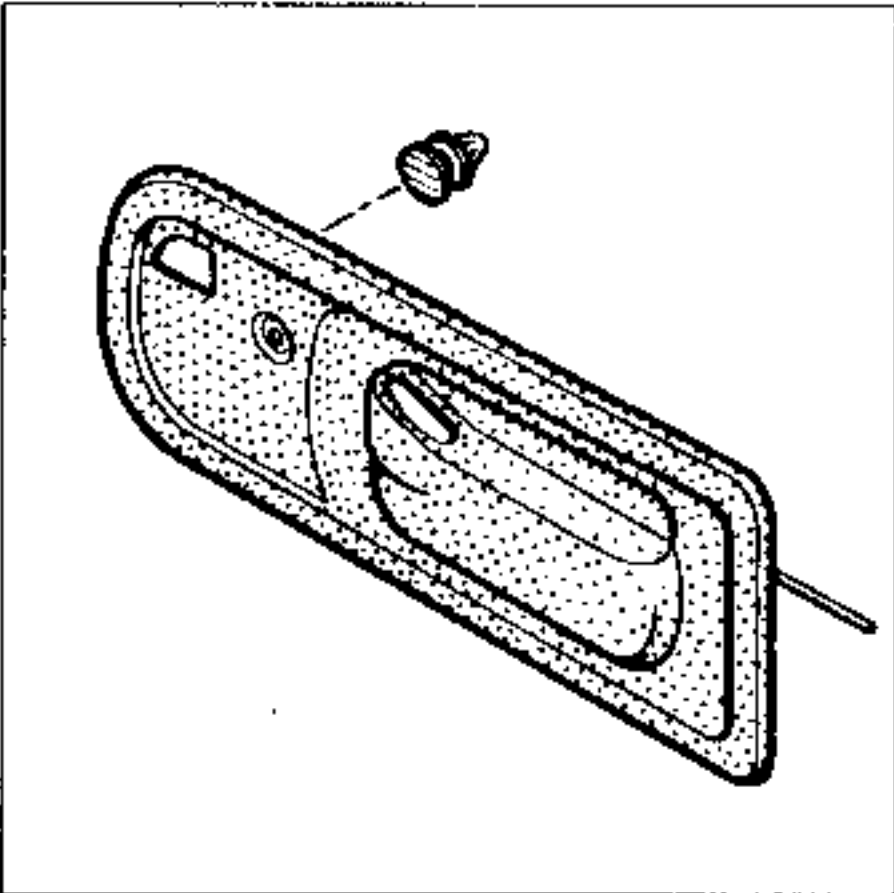
Remove the Torx 20 bolt (A).
using a tool (flat screwdriver blade) unclip section
(B) taking care not to damage the paintwork.
Release part (C) downwards.
Remove the handle while twisting it.



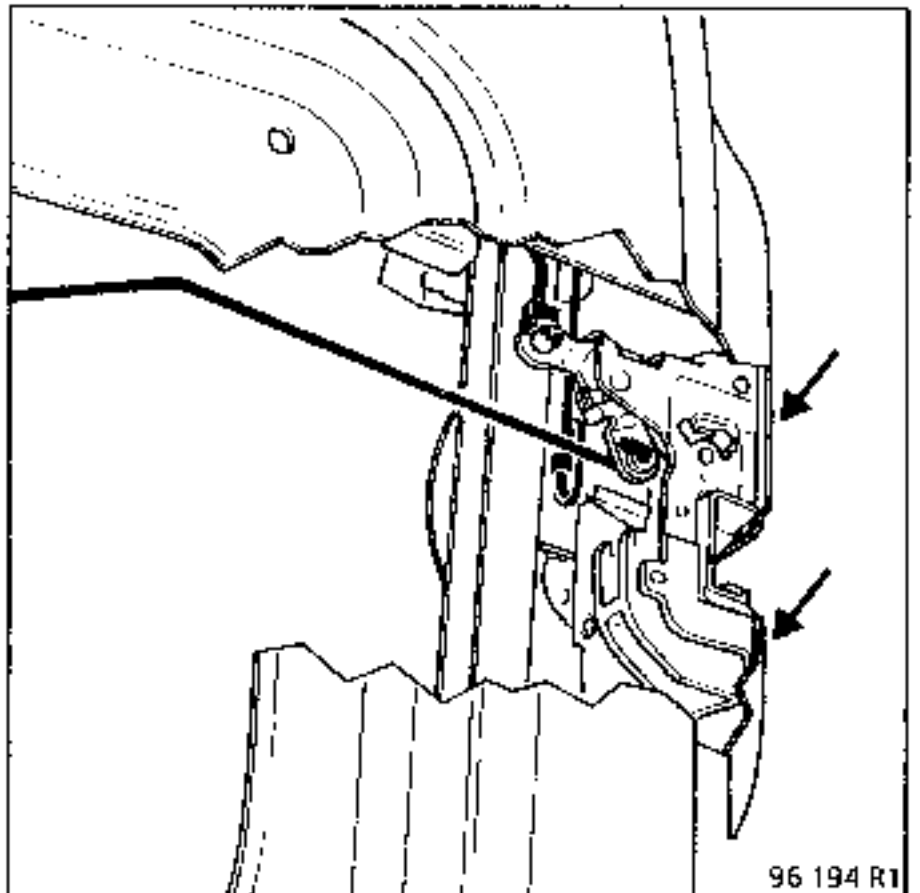
After removing the trim and the external handle:
Release the barrel from the linkage (A).
Remove the barrel after releasing clips (B).



REMOVAL

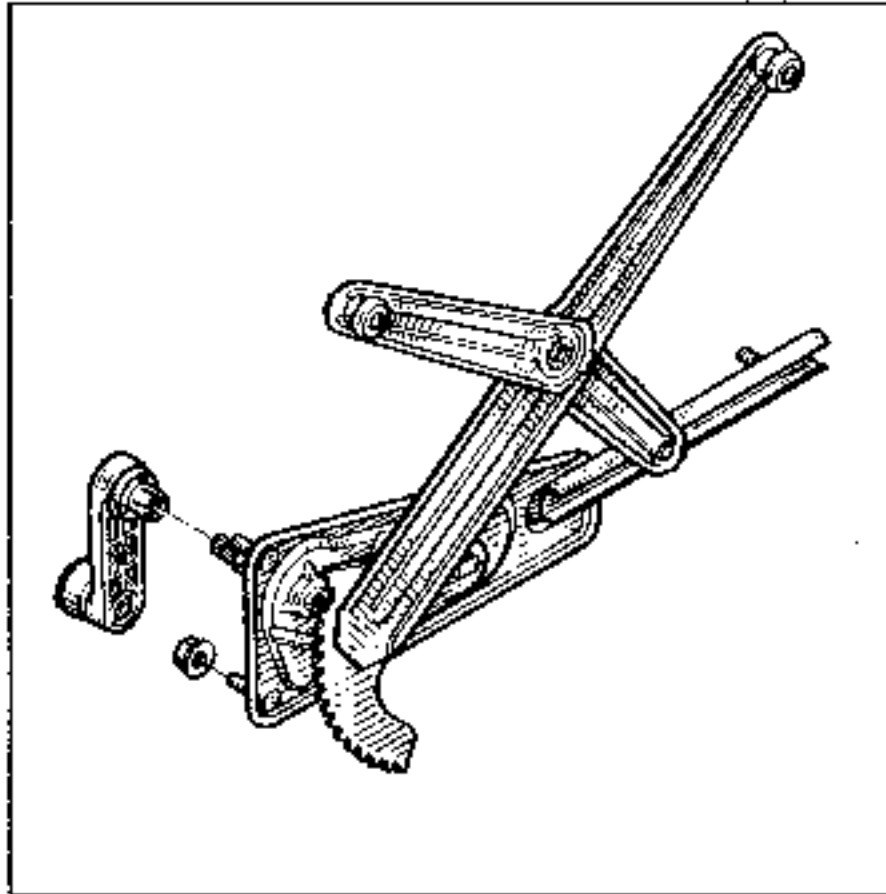


Remove the door trim (see chapter 7).

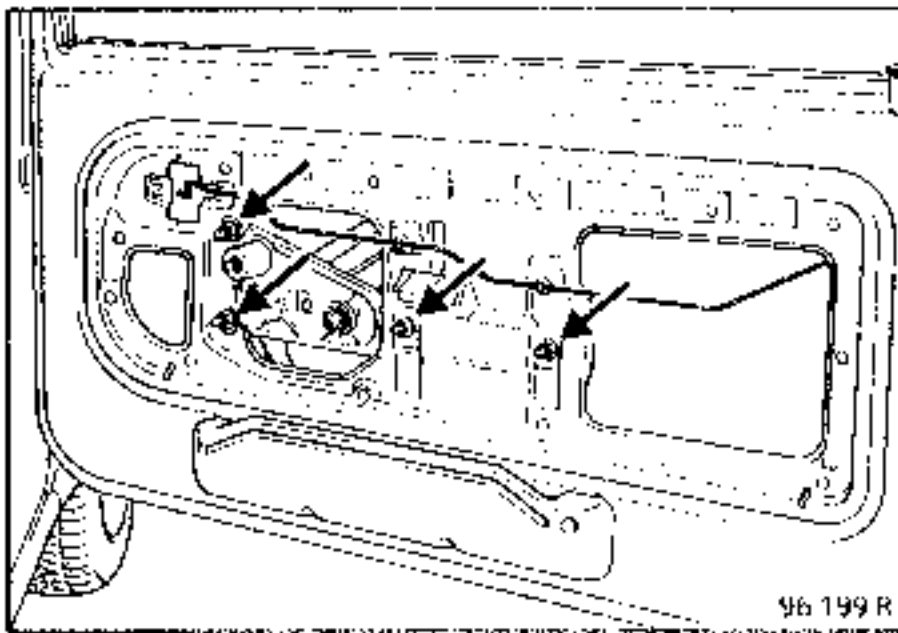


Unclip the control linkages
Remove the lock (3 bolts).

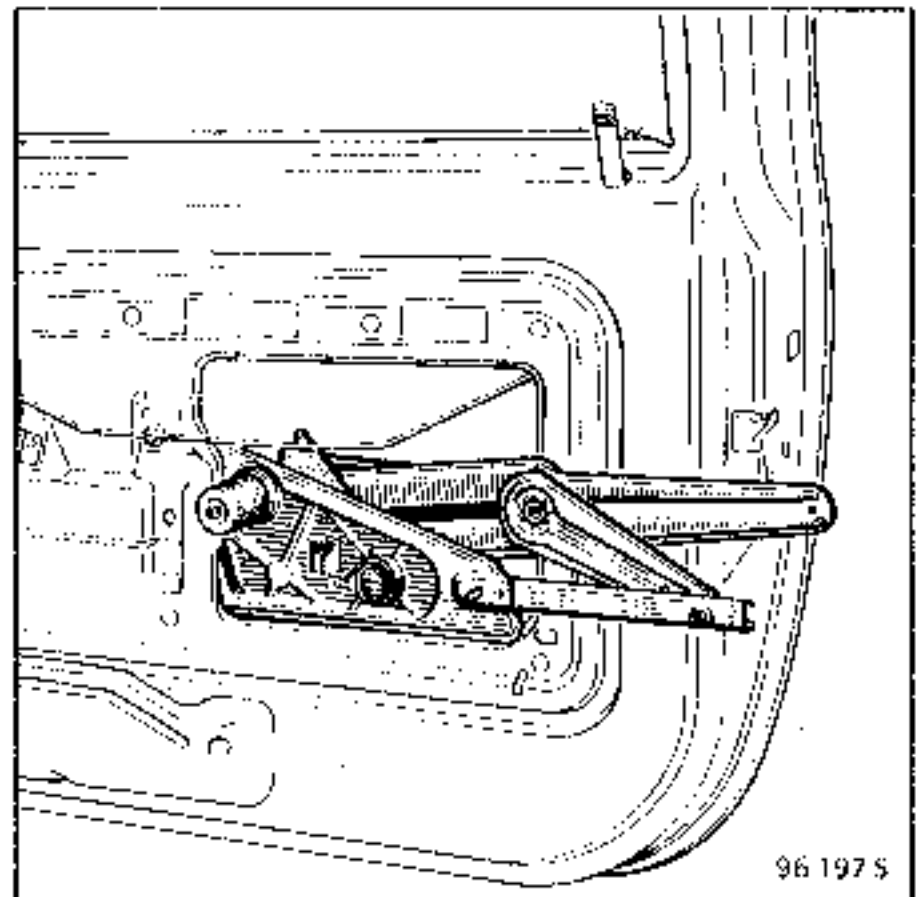
96 194 R1



REMOVAL

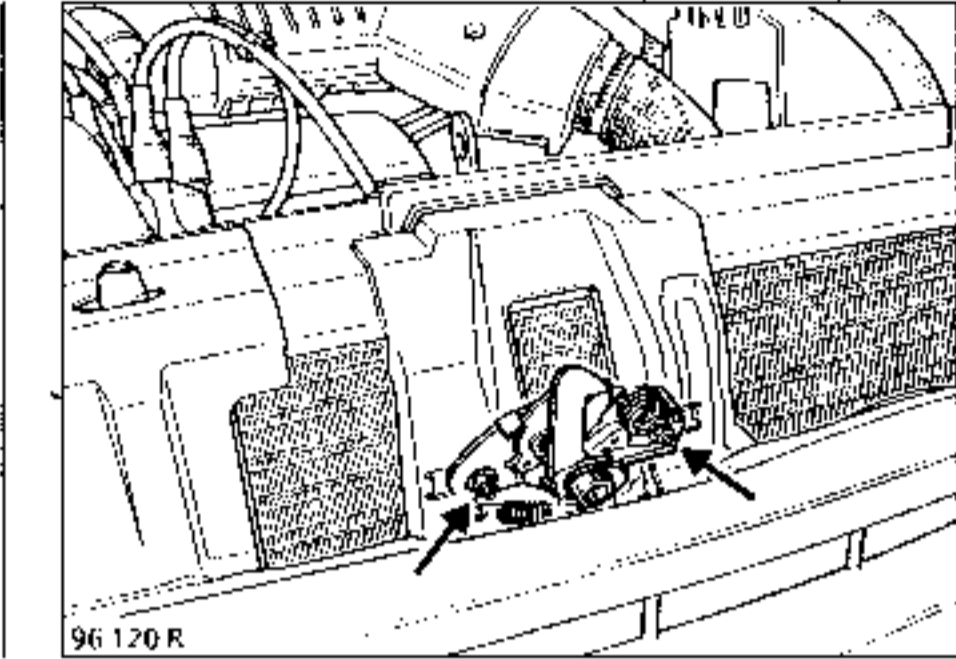
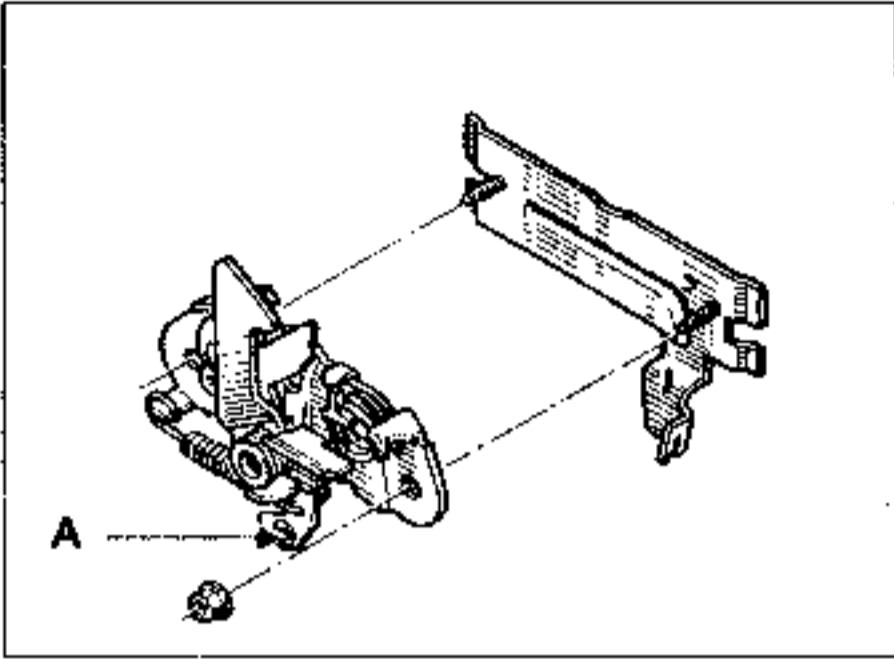


After removing the door trim :
Remove the mechanism mountings.
Release the mechanism from the window.



Remove the mechanism as shown above.

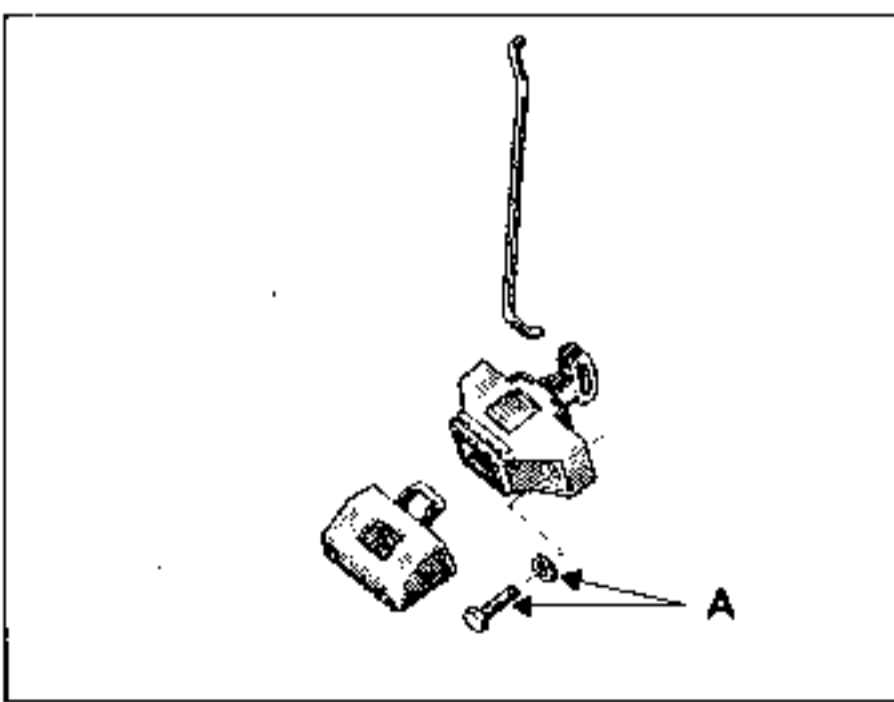
REMOVAL



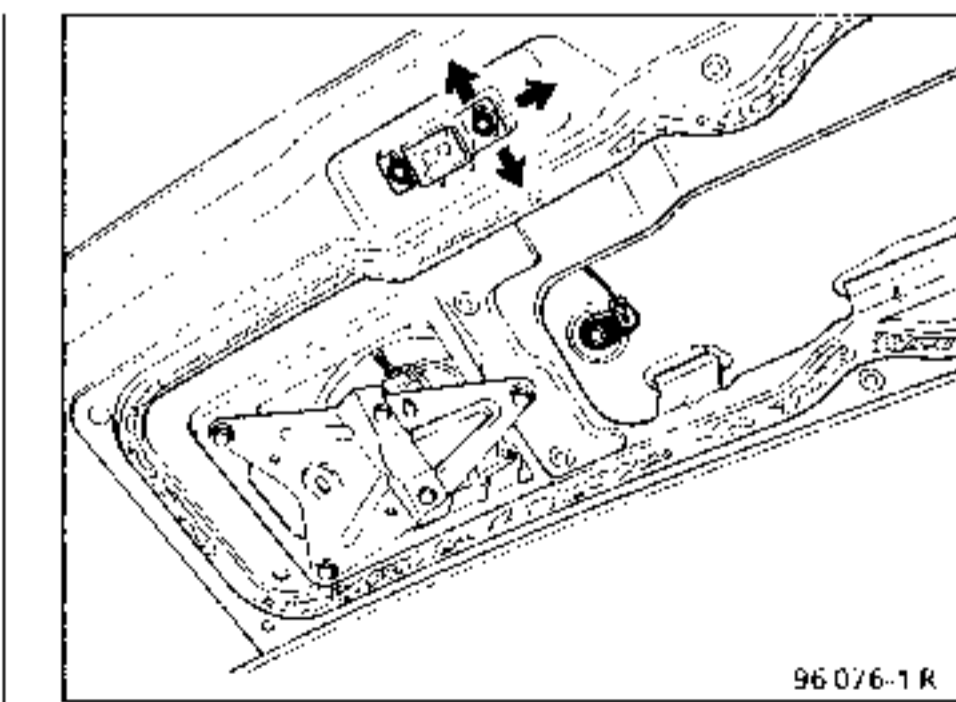
Remove the two nuts and release the cable from the lock (A)

IMPORTANT : When refitting the lock check it is correctly adjusted and locks correctly.

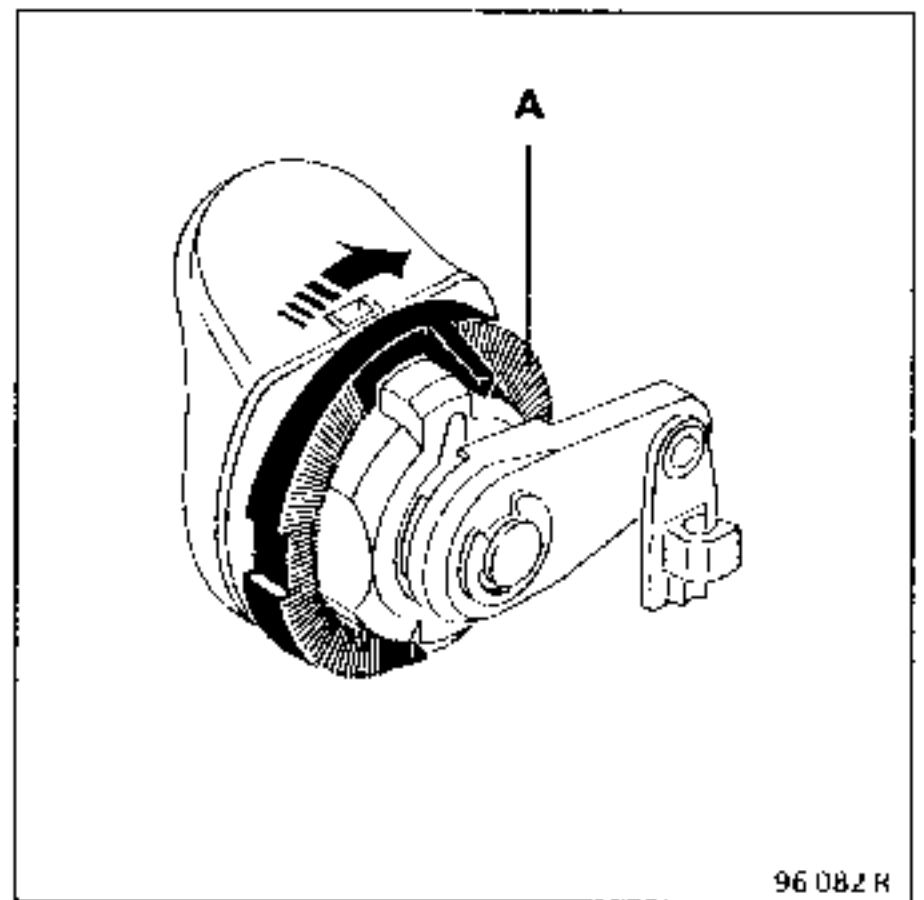
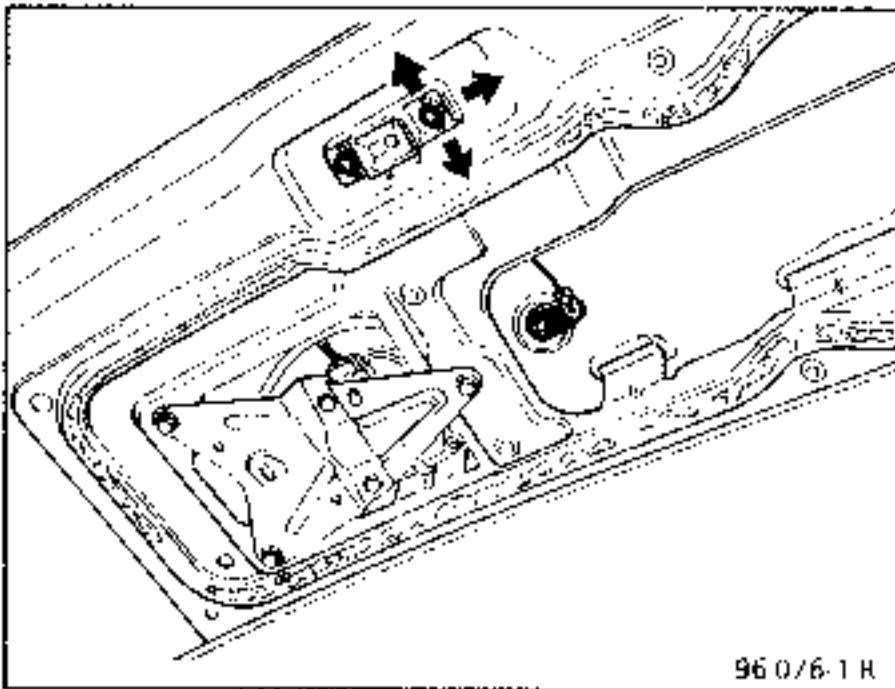
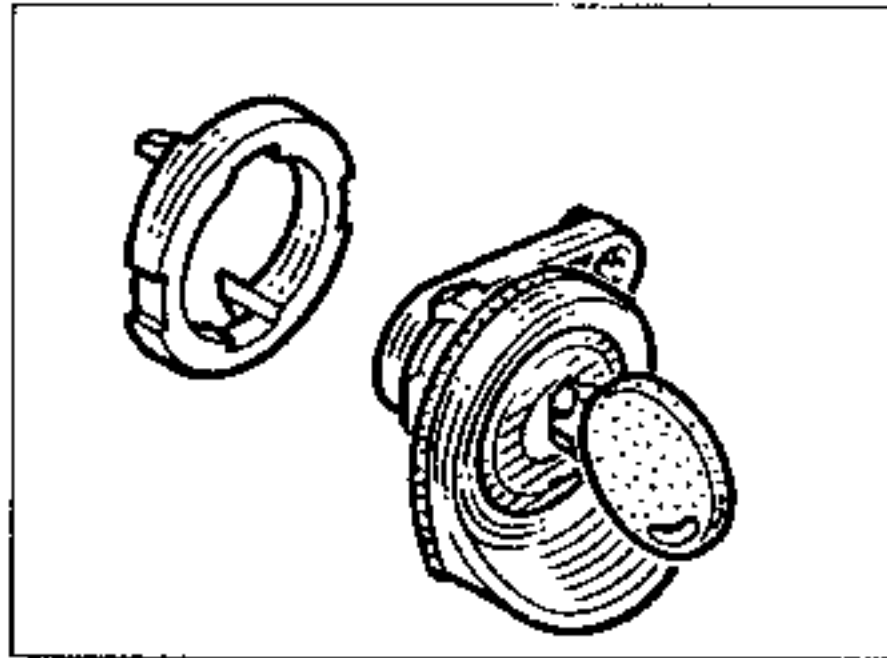
Tailgate lock



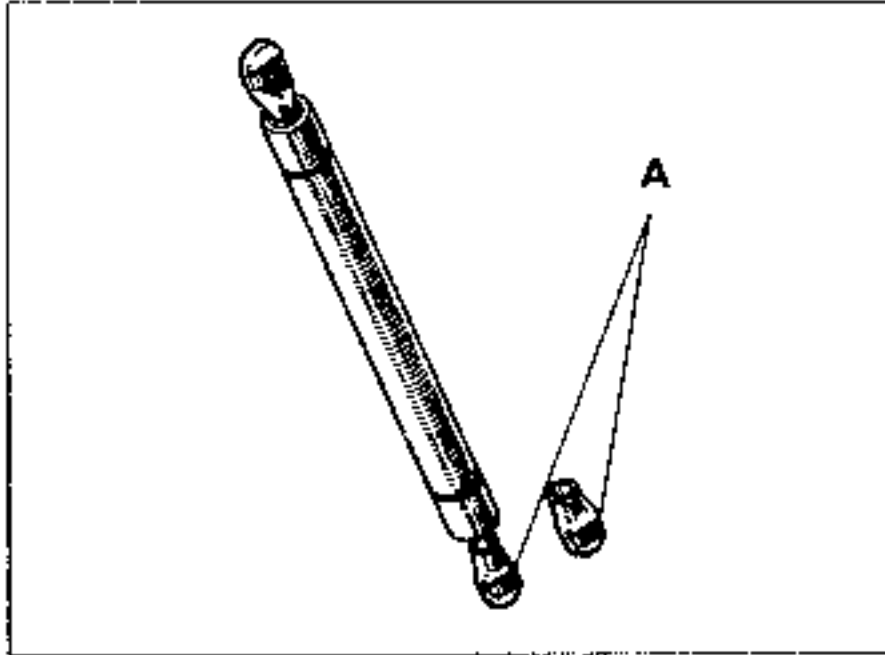
Remove mountings (A).



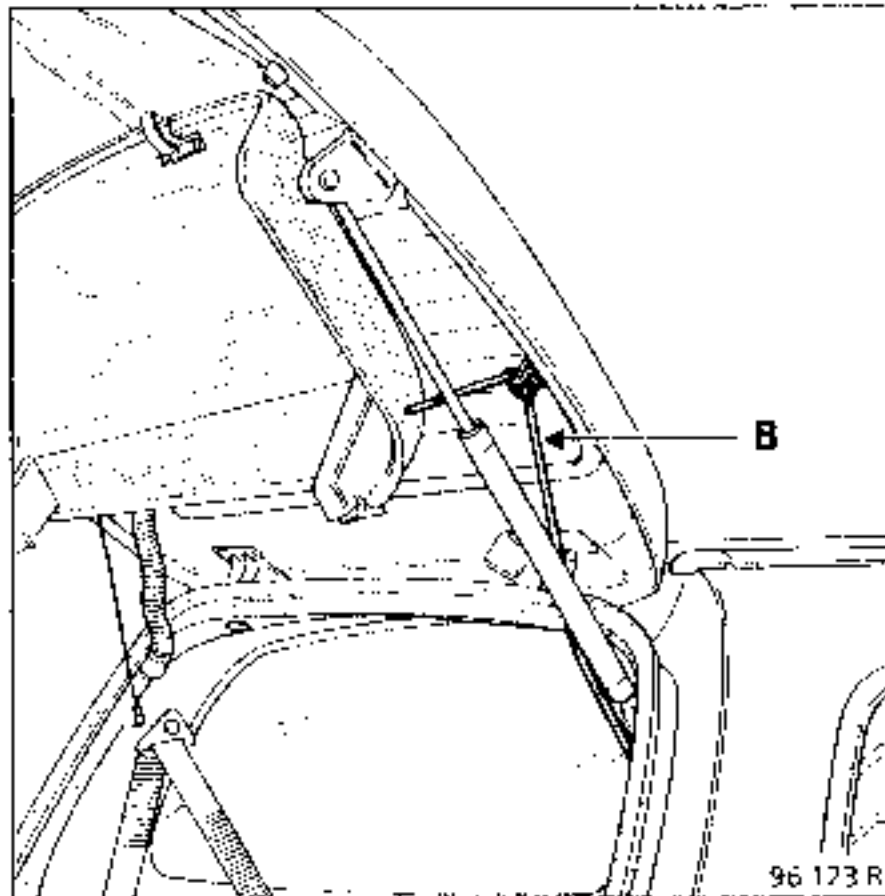
Adjusting the striker plate.

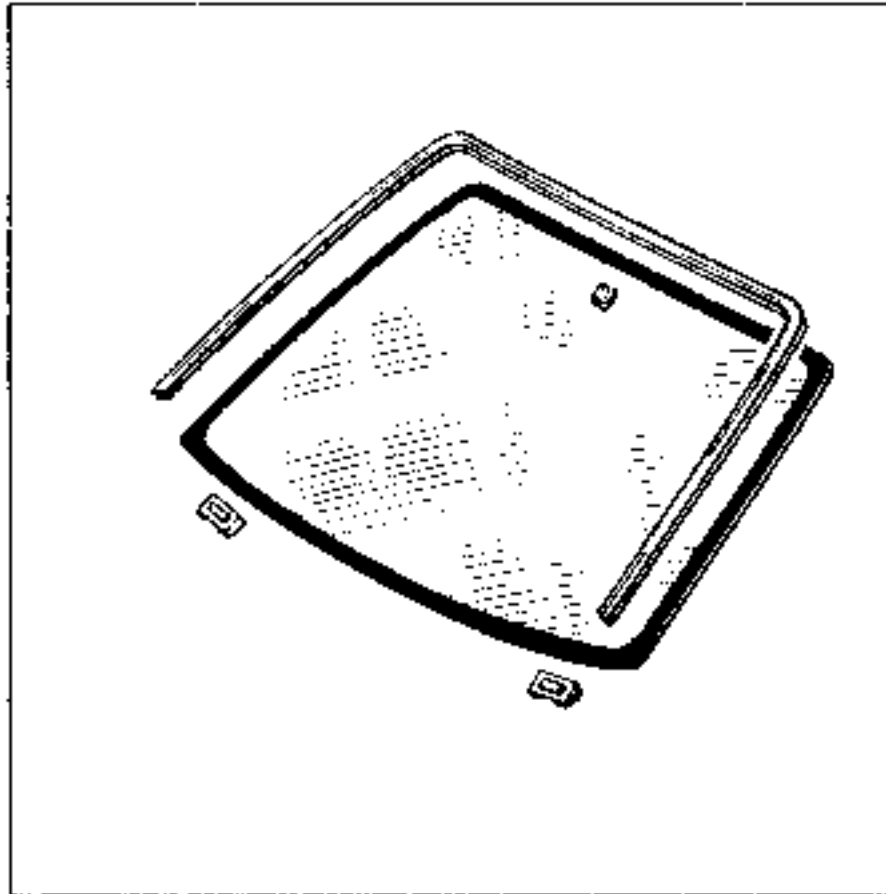


Remove the tailgate trim
Release the barrel from the linkage.
Turn mounting (A) as shown above.

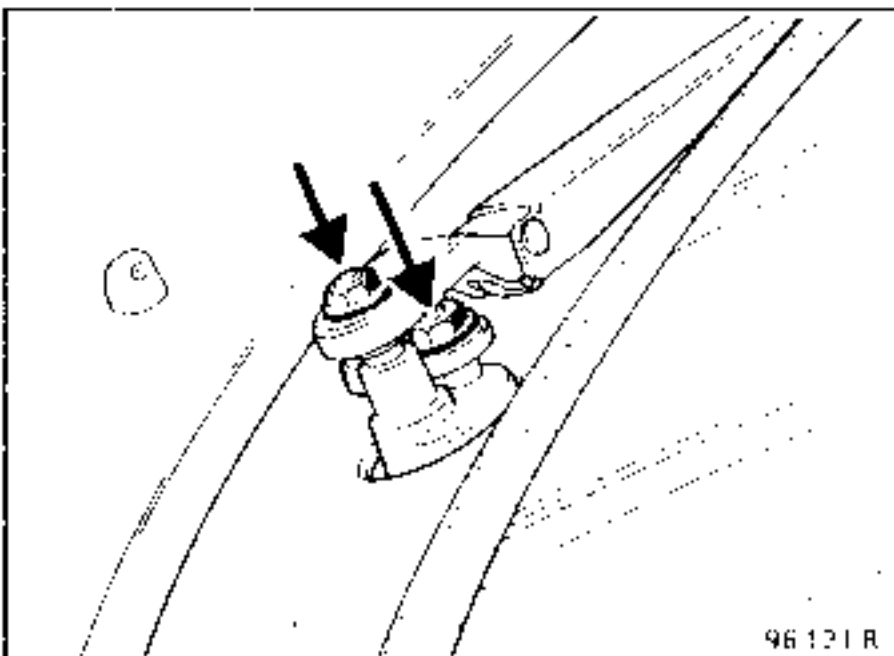


Remove clips (A).
When refitting ensure the rear parcel shelf cords
are correctly positioned (B).

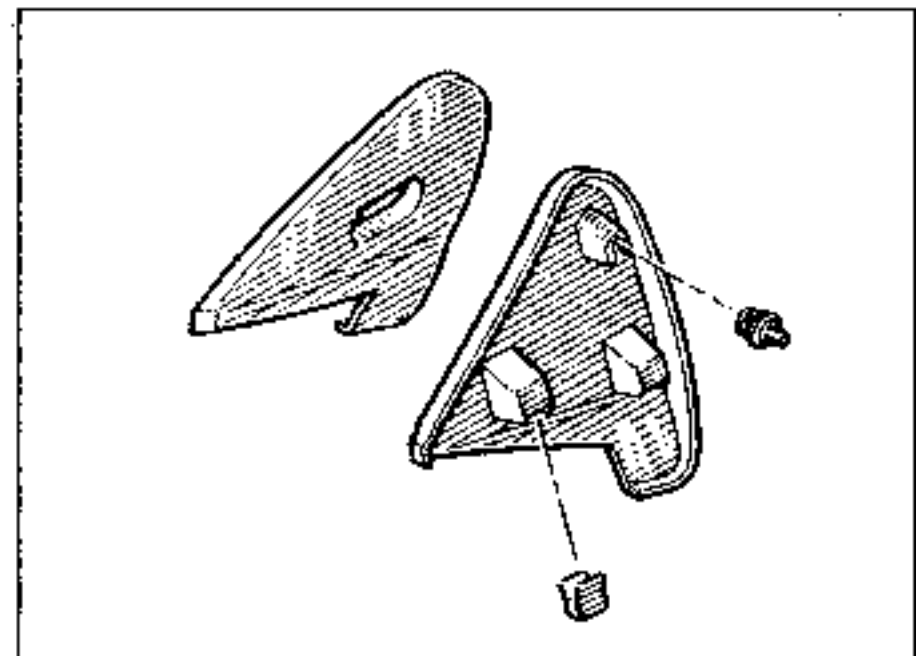




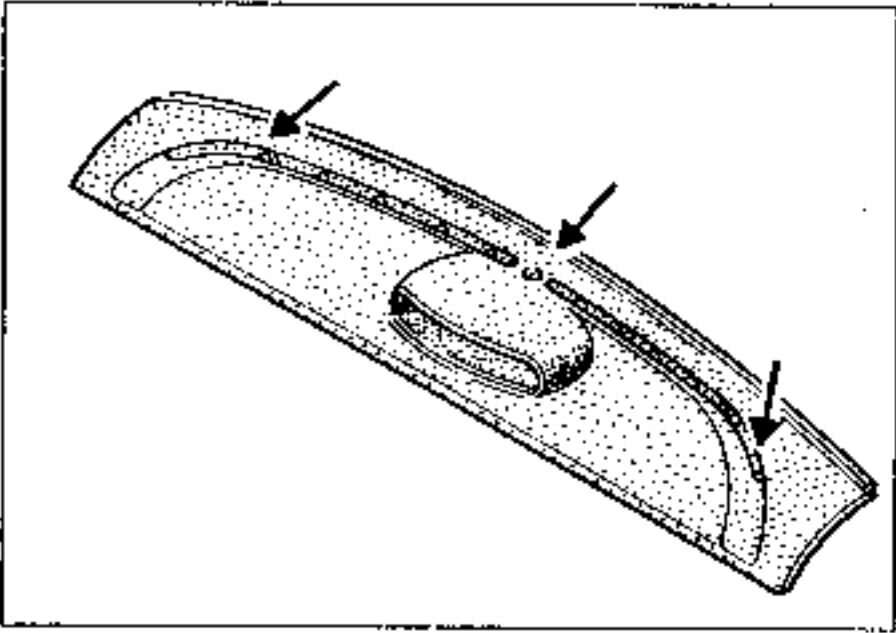
REMOVAL



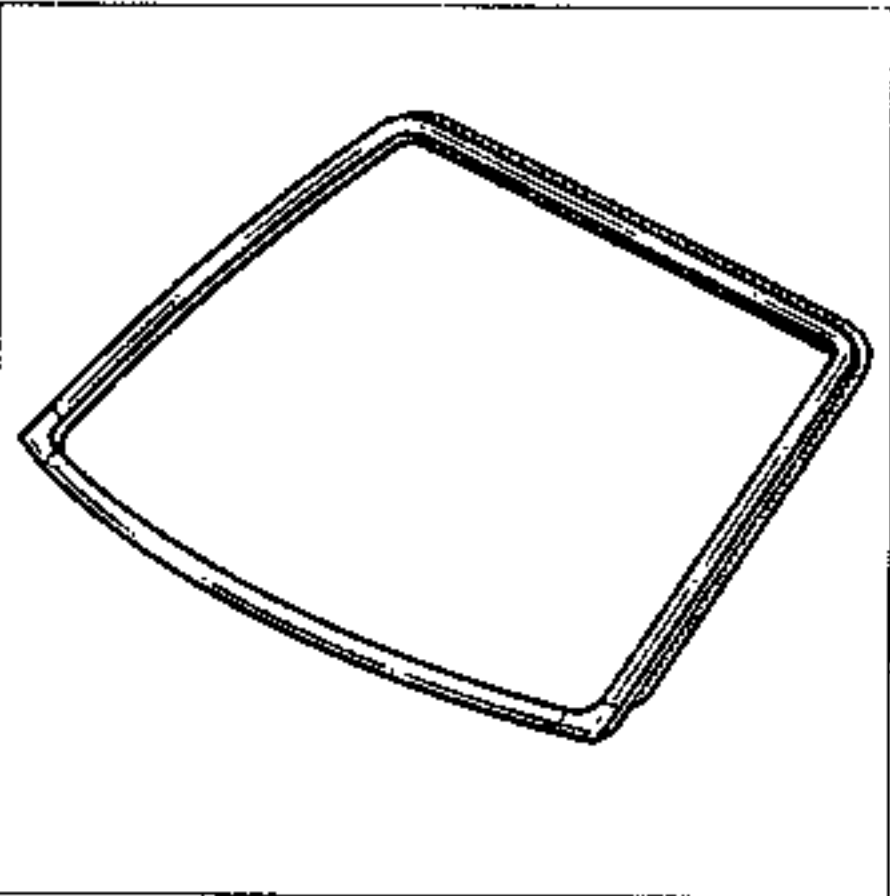
Remove the two nuts on the pantograph windscreen wiper.



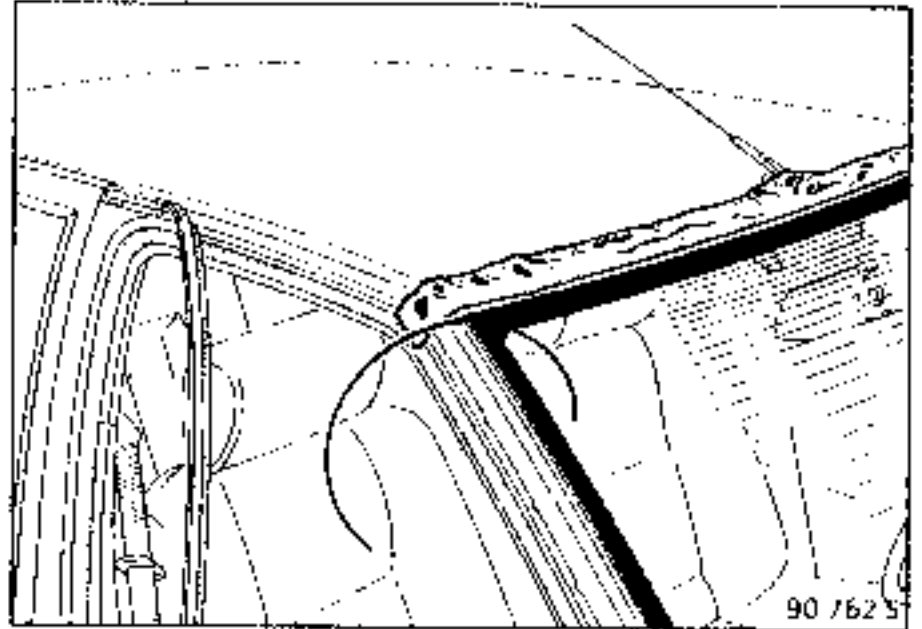
Remove or protect (using masking tape) the right or left hand external rear view mirror trim.
Remove the interior rear view mirror.



Remove the upper section of the dashboard (three Torx bolts 20).



Remove the external trim.

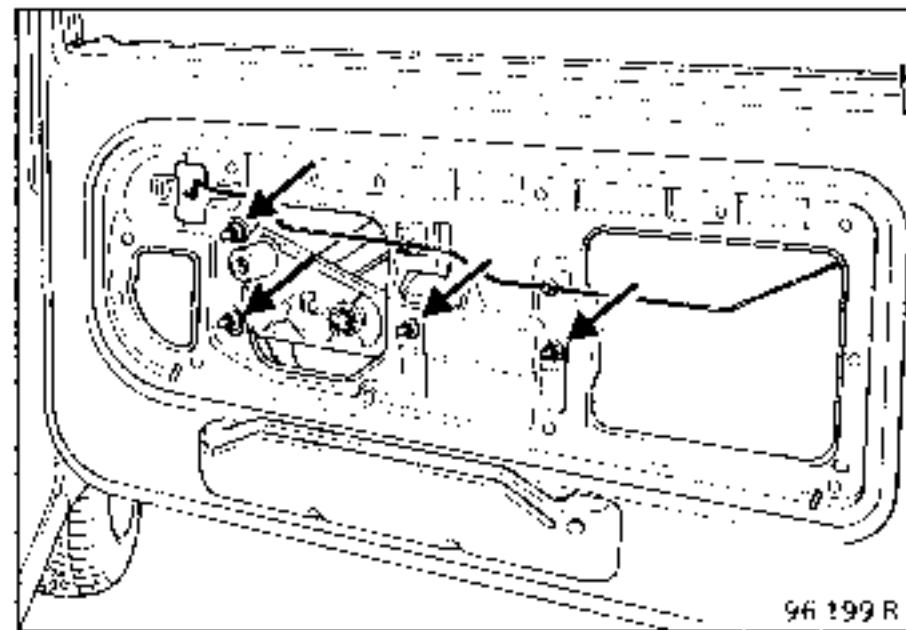
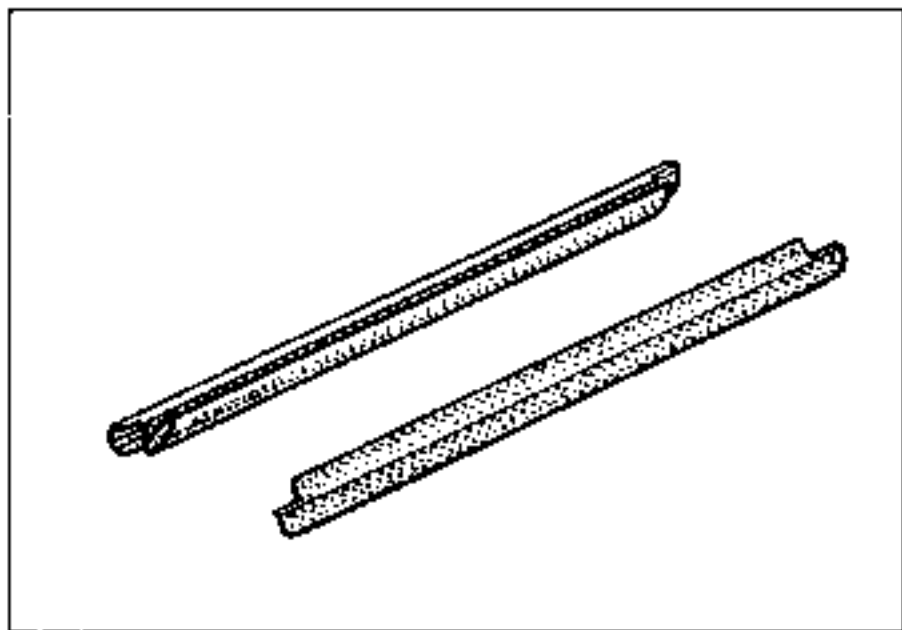
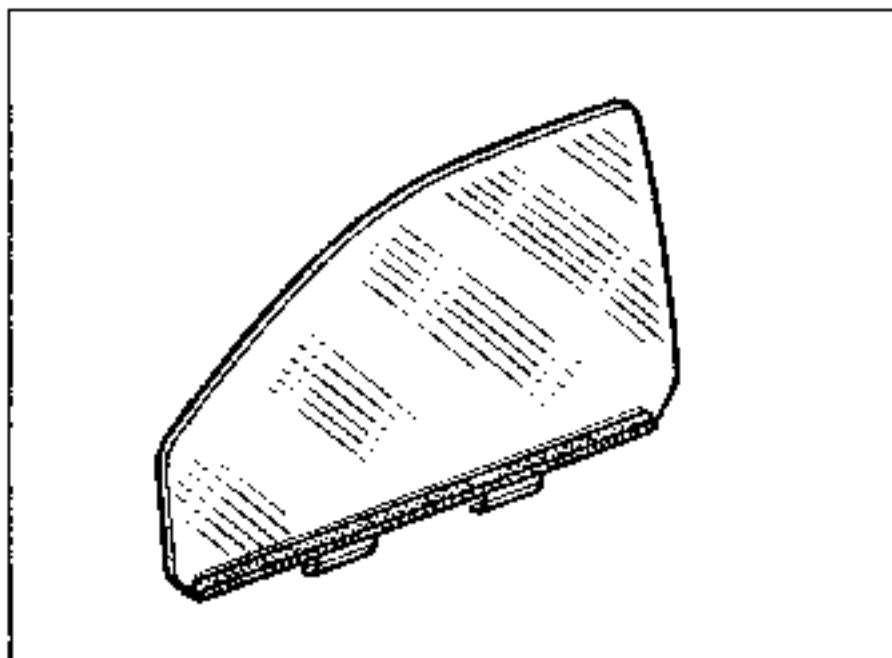


Protect the paintwork at the edge of the windscreen using masking tape.
Use wire or an electric knife to cut the adhesive around the windscreen.

Remove the interior trim.

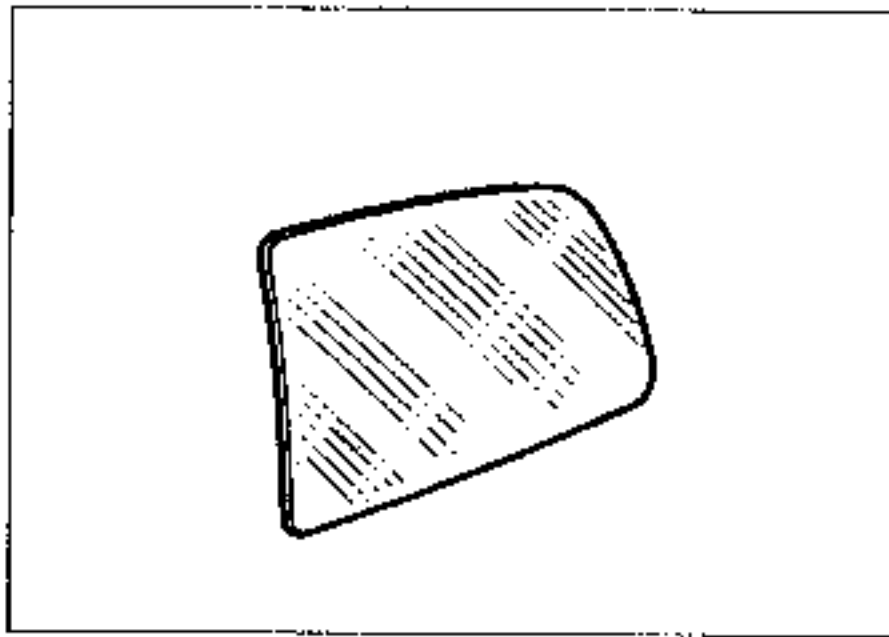
Follow the general window bonding method in N.T. 249 for cleaning, bonding and re-bonding windscreens.

IMPORTANT : When refitting a windscreen, renew the lower plastic shims (windscreen opening)

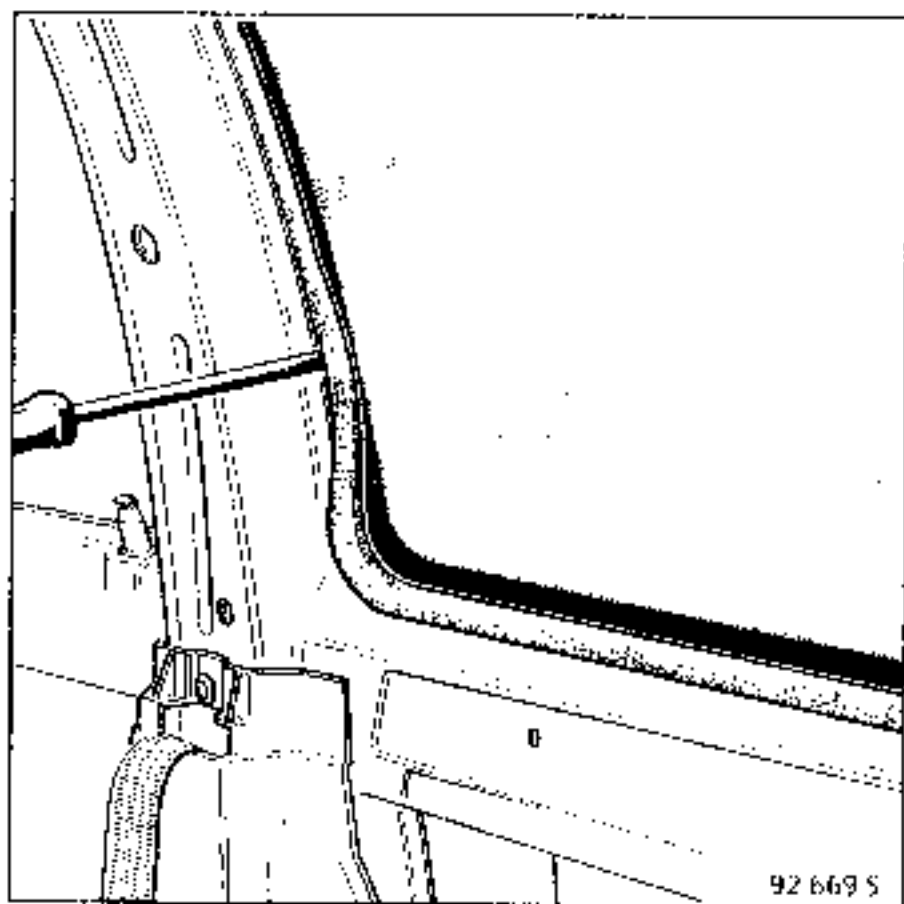


After removing the trim, (see chapter 7) remove:
– the window weather strips

Remove the window winder mountings.
Release the window from the window winder

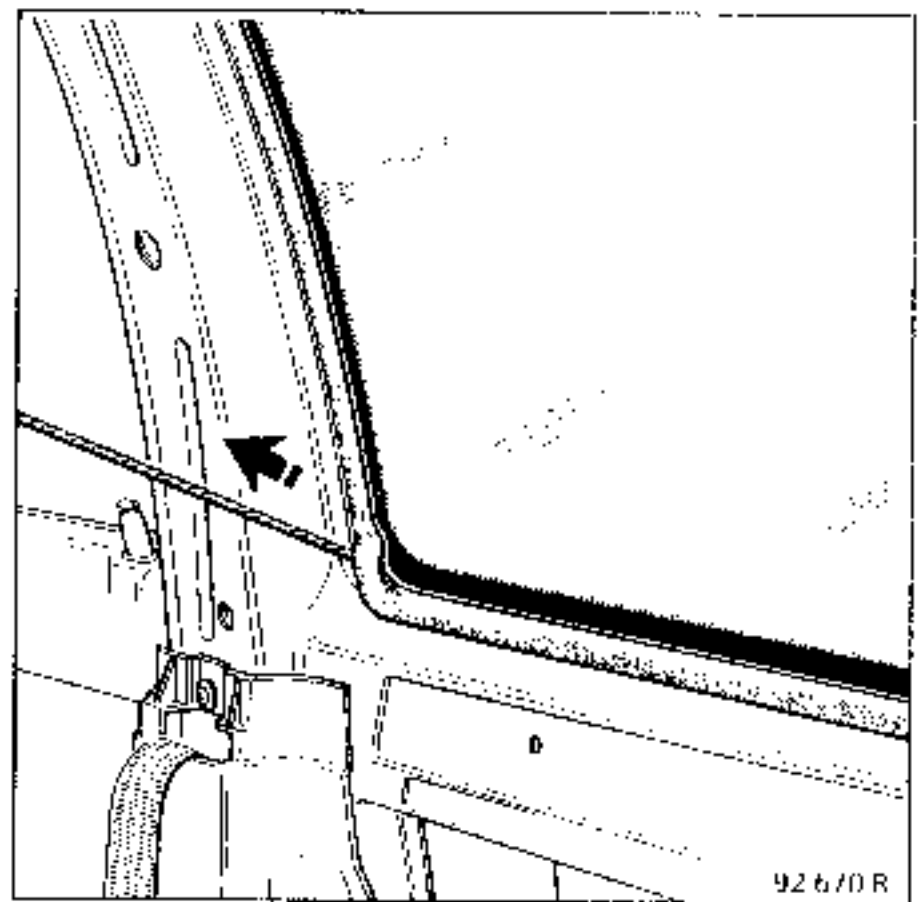


REMOVAL

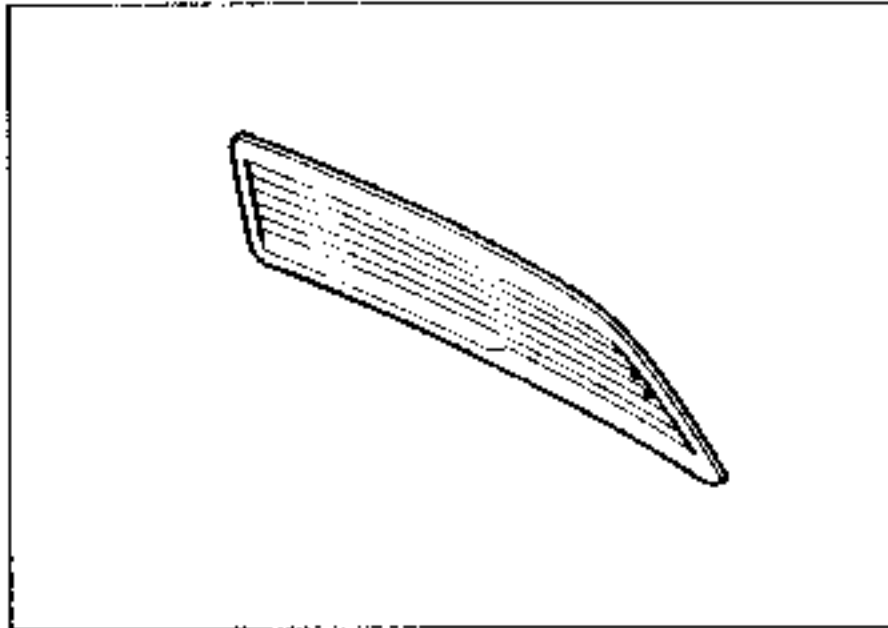


Remove the window taking care not to damage the rubber.

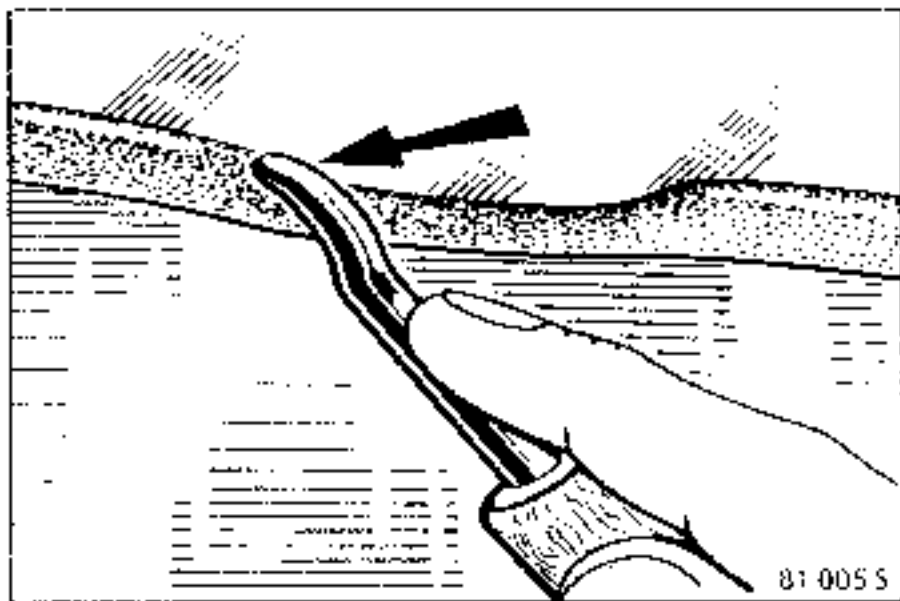
REFITTING



Refit the window as shown above.

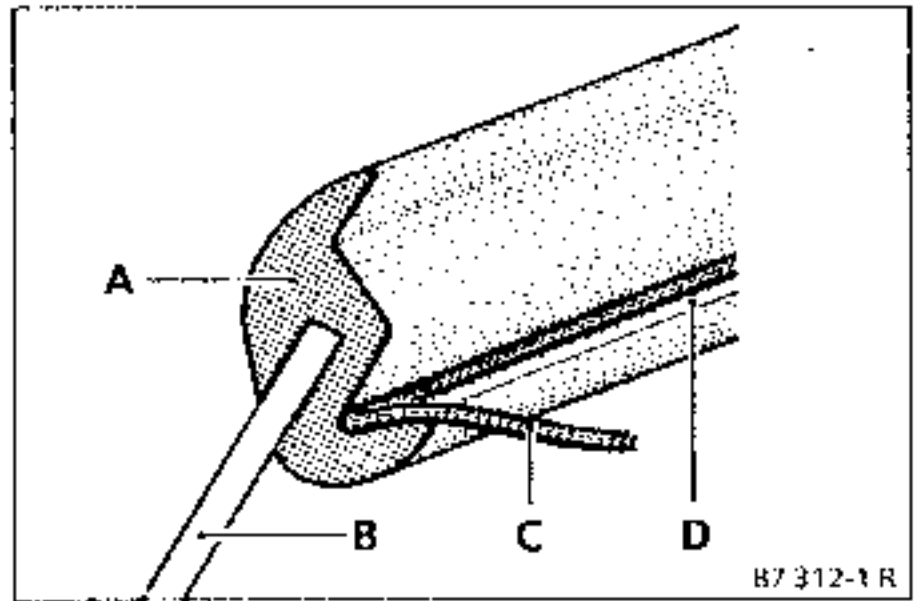


REMOVAL

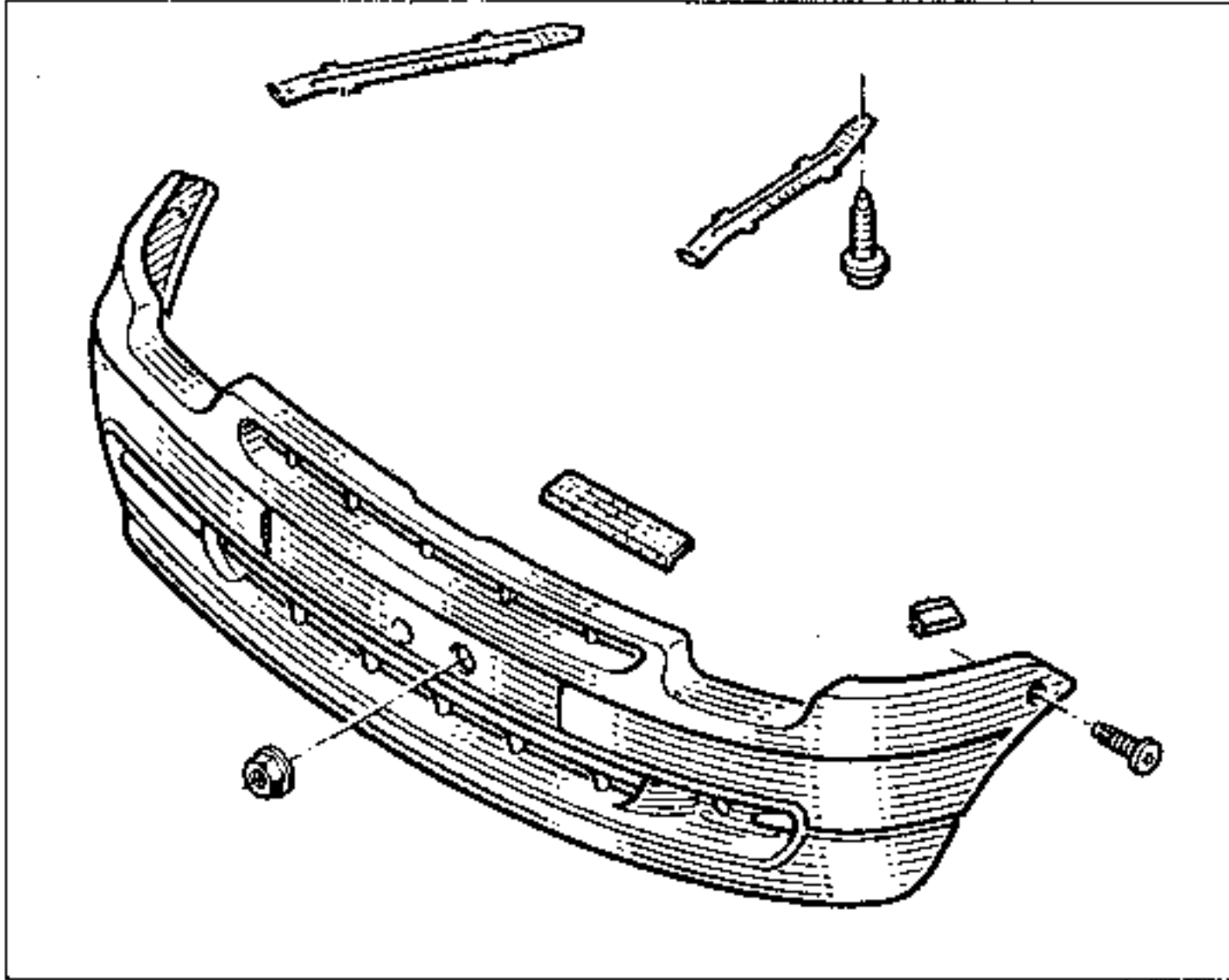


Disconnect the rear screen de-mister wiring and remove the rear screen.

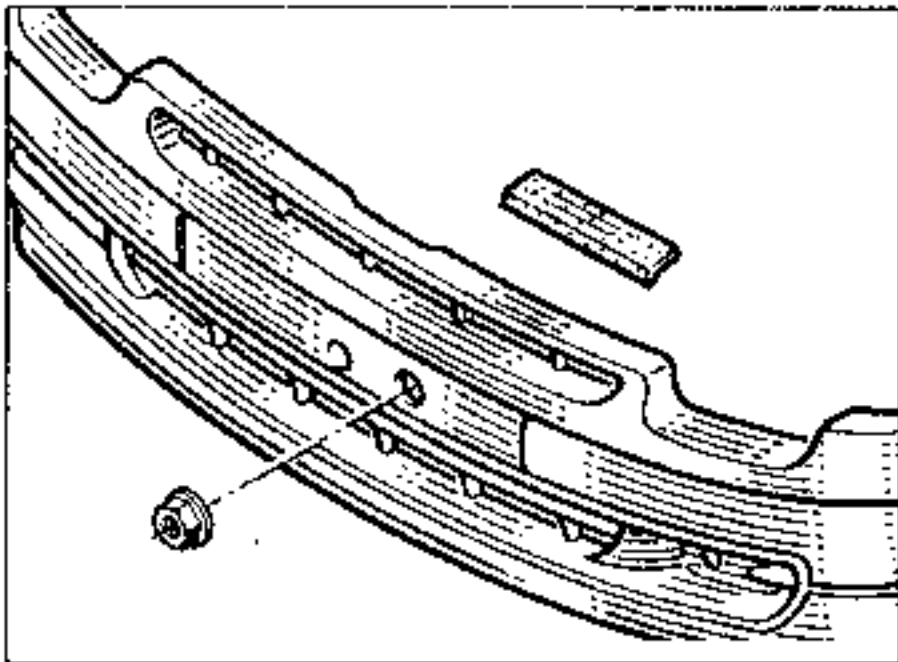
REFITTING



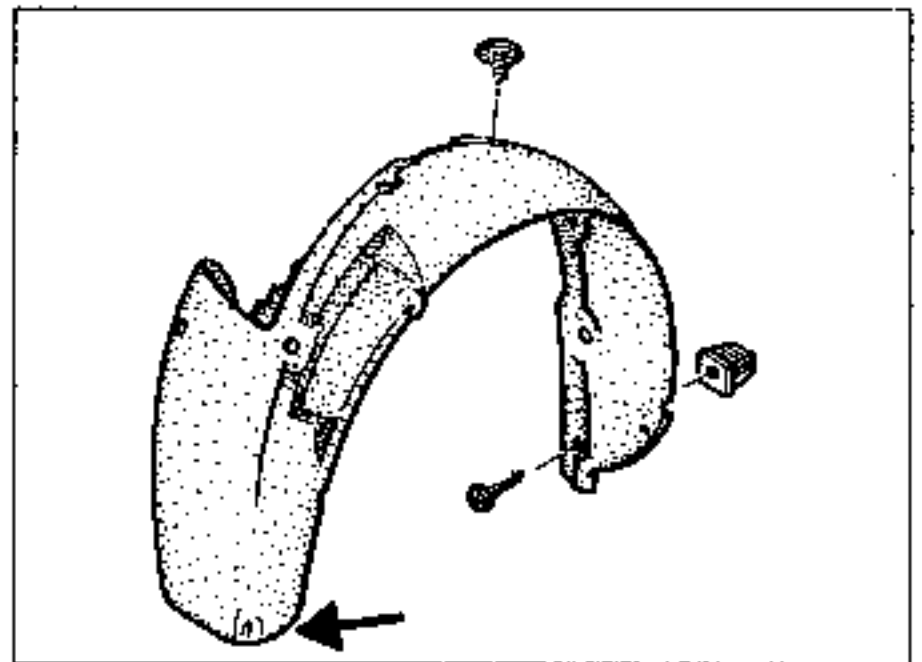
Refit the screen as shown above and reconnect the wiring



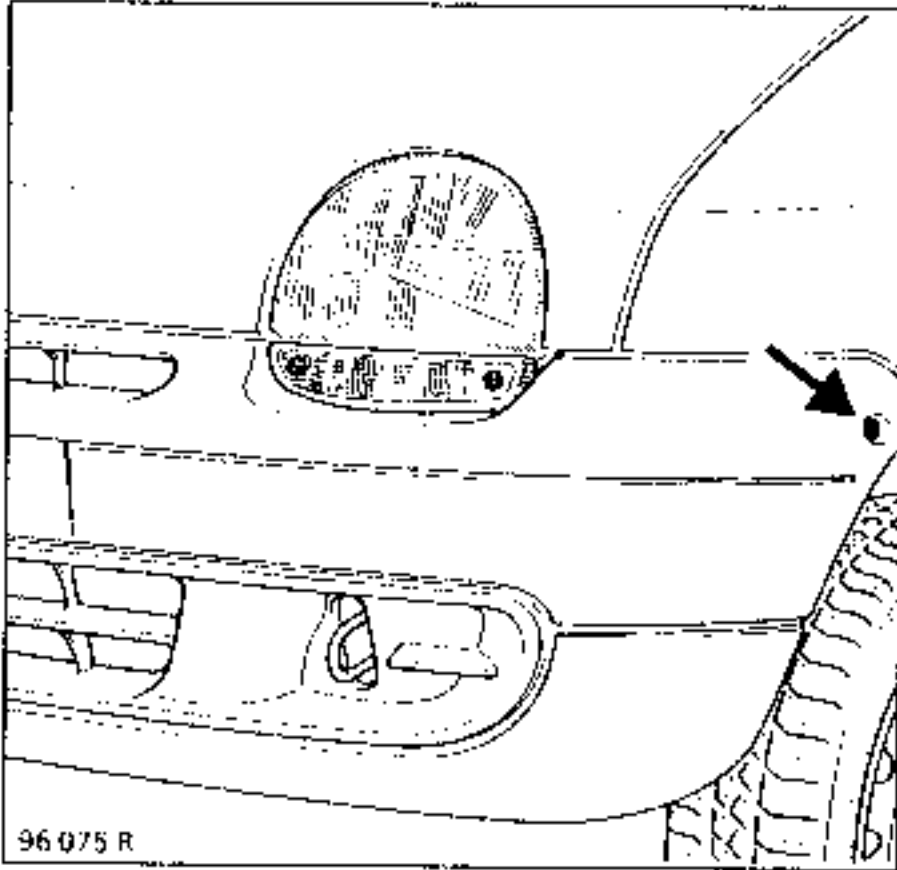
REMOVAL



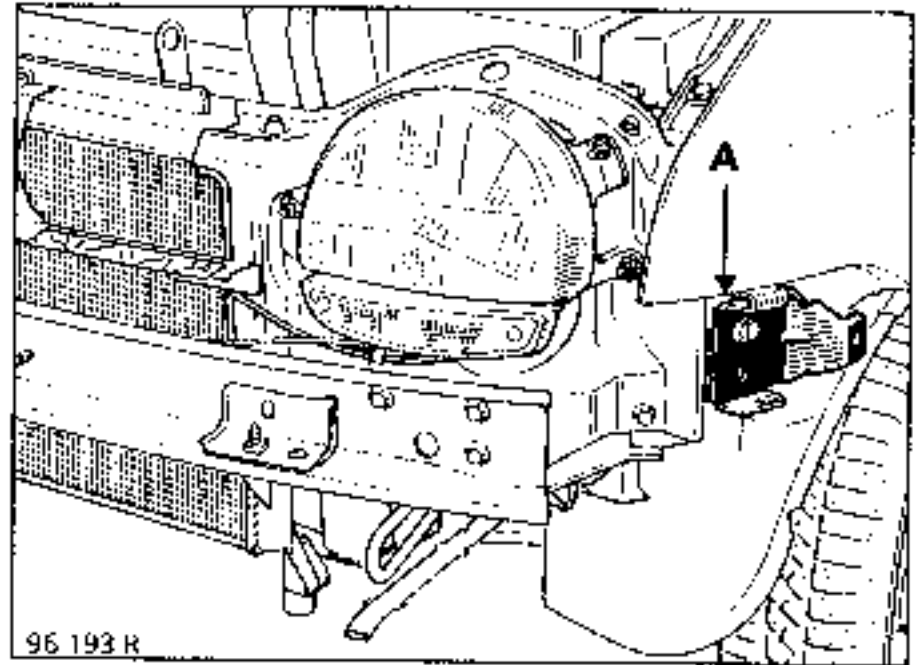
- Remove:
- the number plate
 - the centre bolt



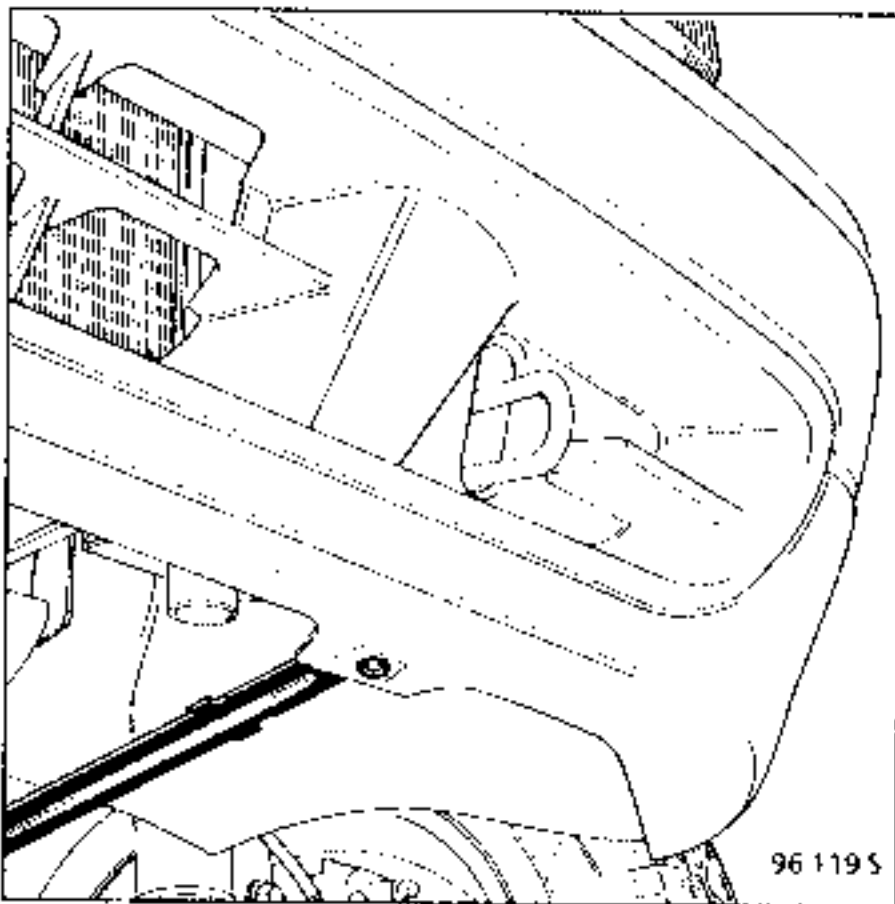
Remove the lower mountings for the plastic wheel arch.



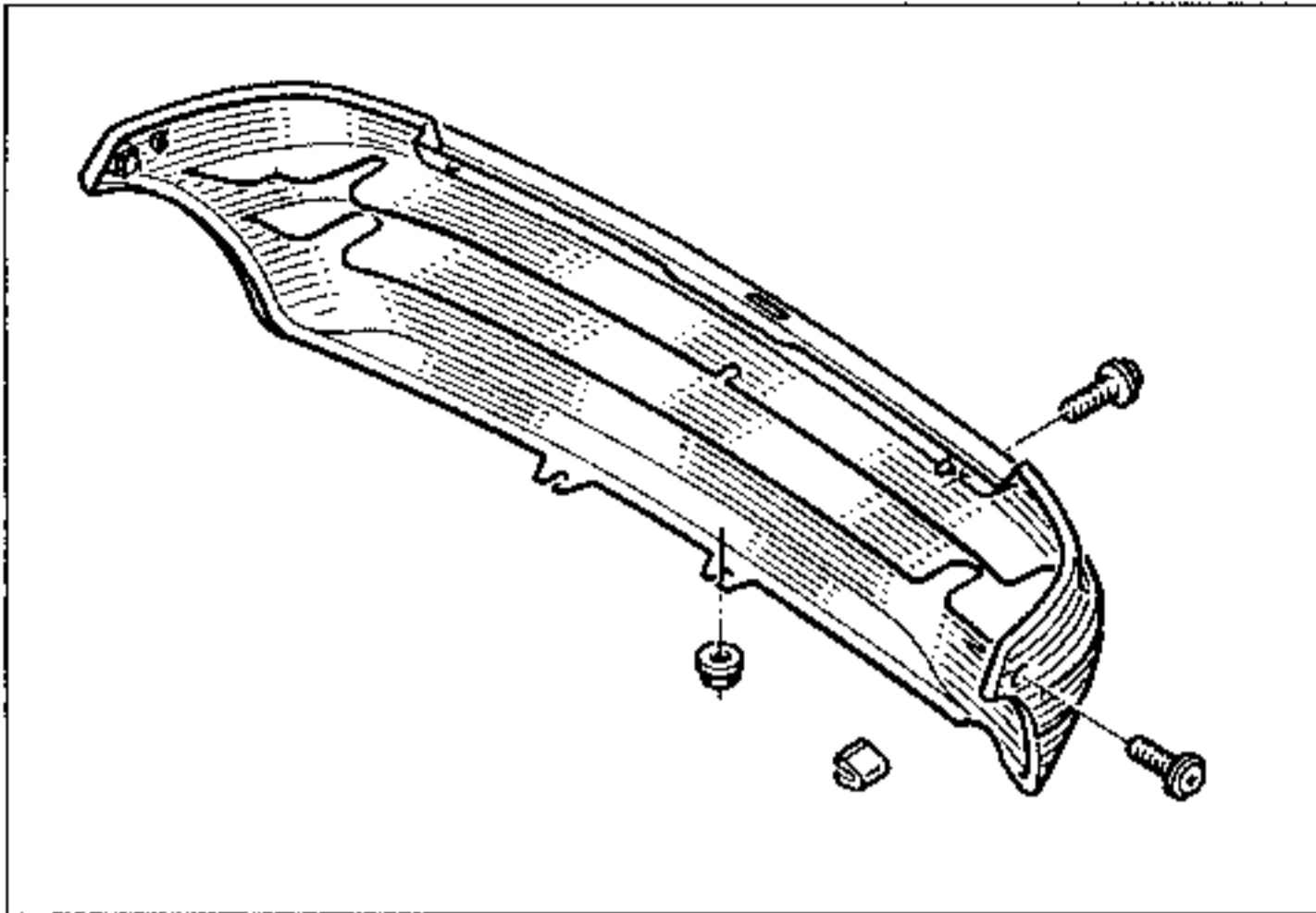
Remove the right and left hand side bumper mountings.



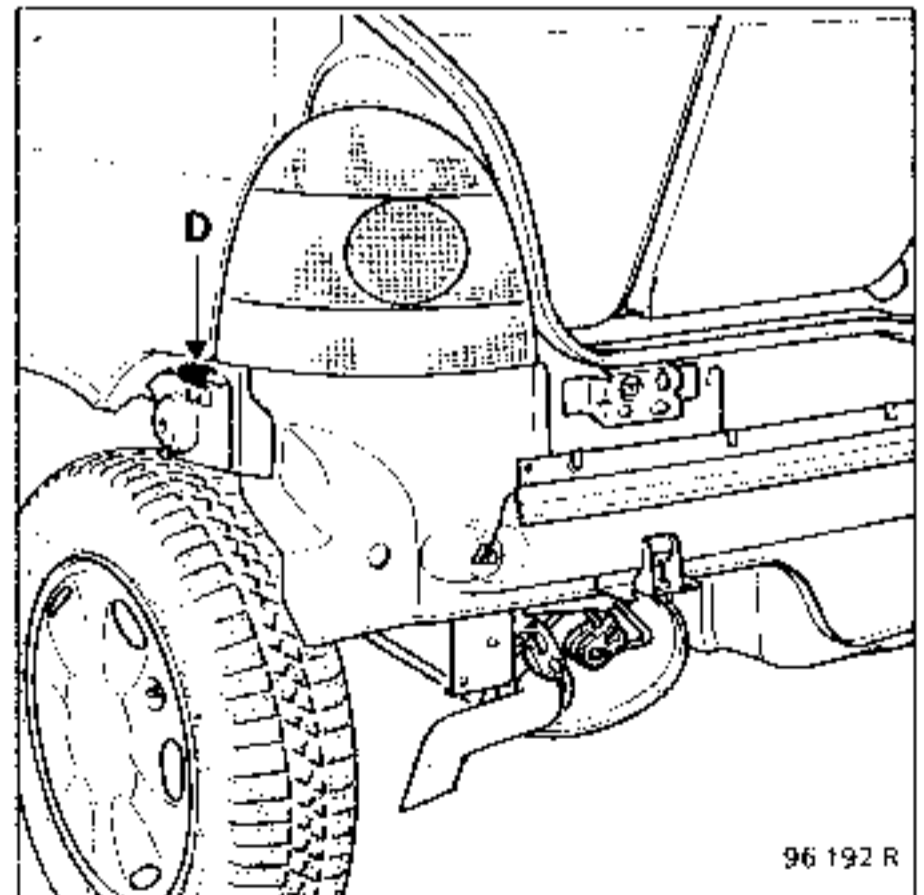
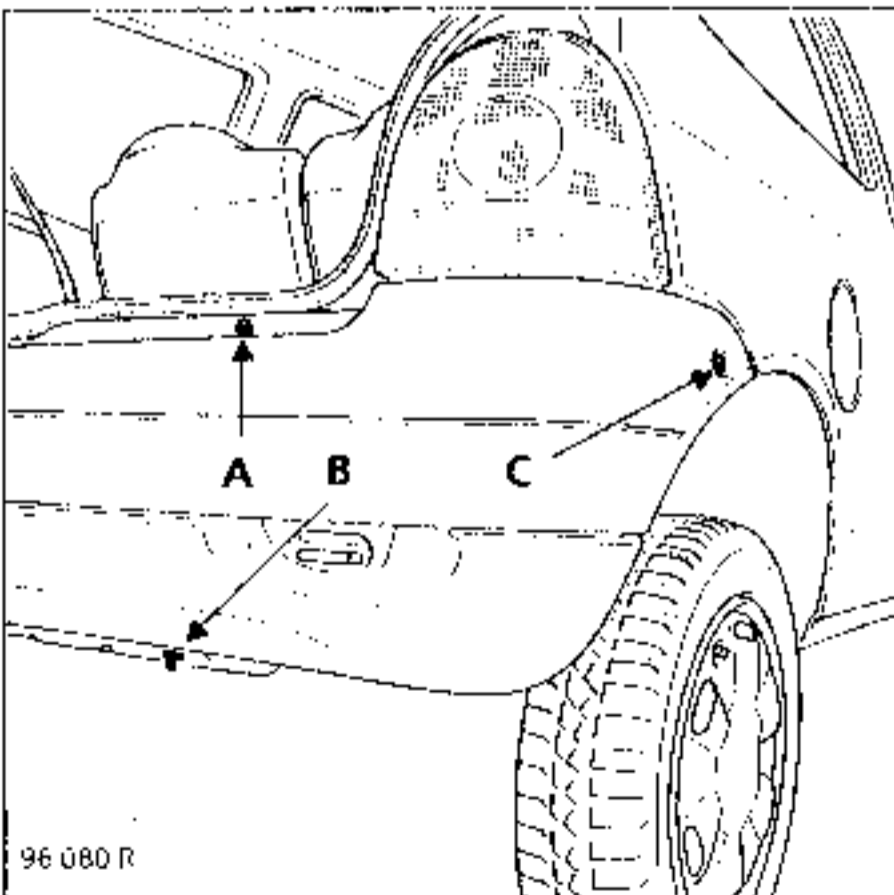
When refitting, ensure the plastic clip (A) is correctly positioned.



- Remove:
- the lower mountings
 - the bumper



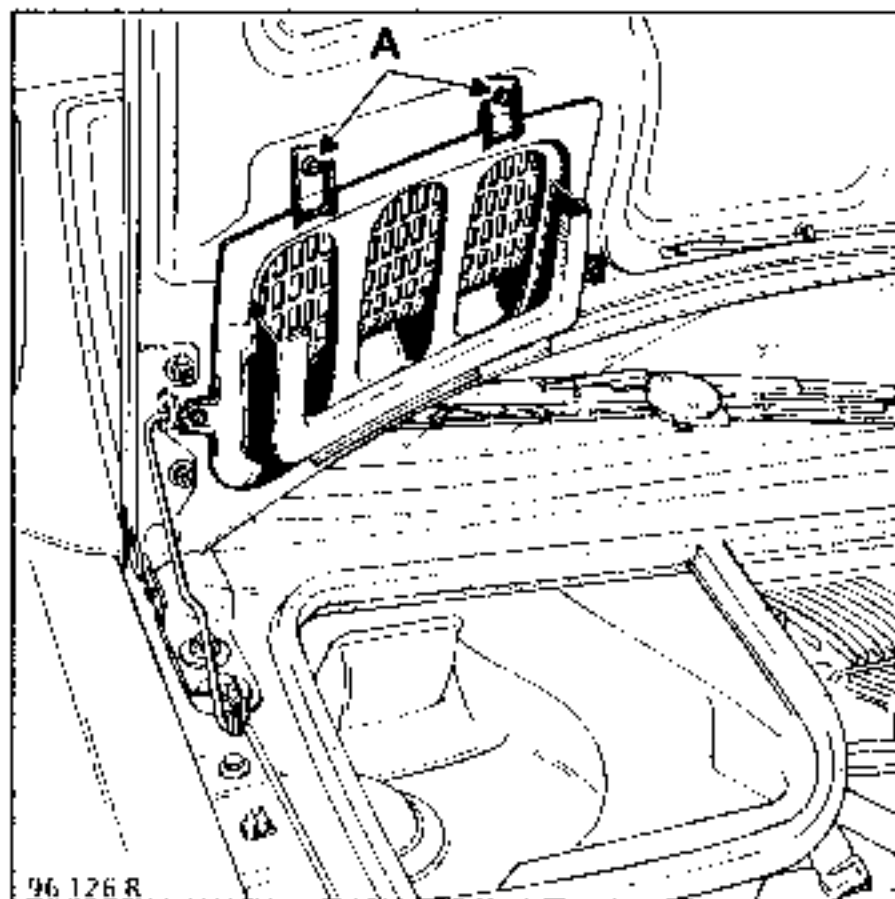
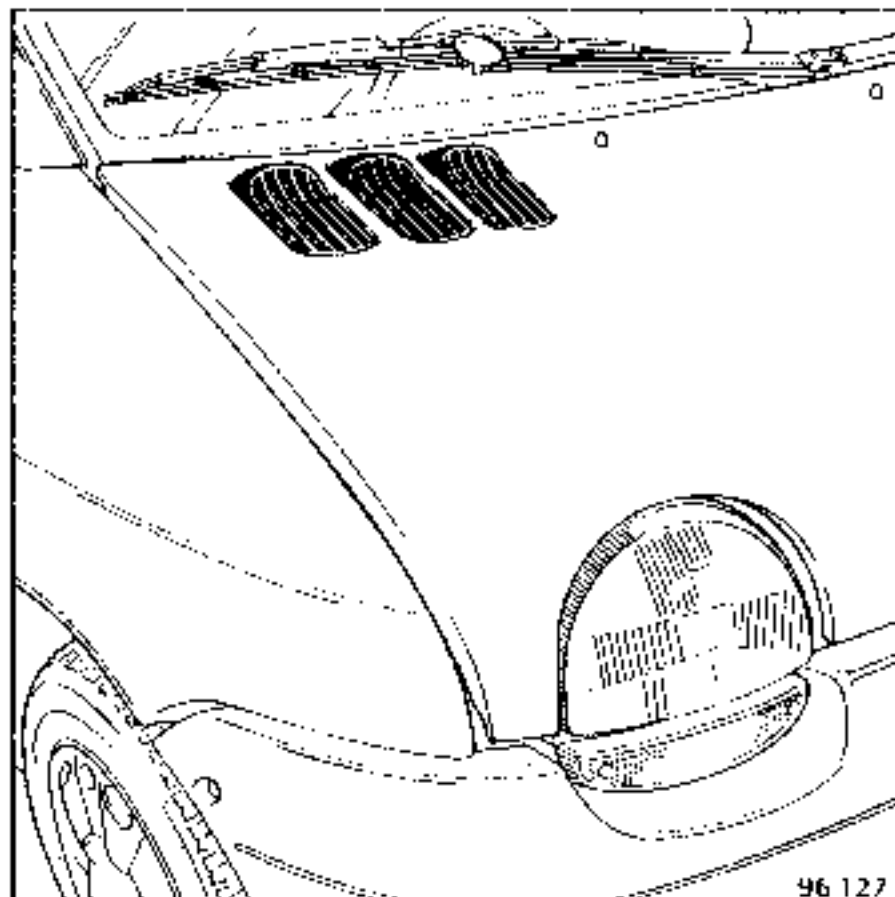
REMOVAL



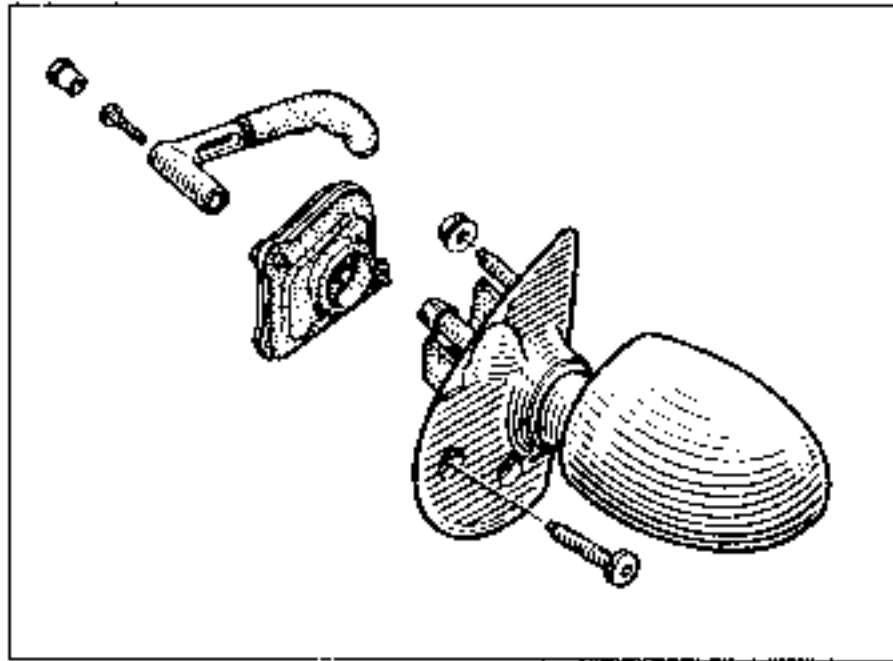
Remove:

- the upper centre mountings (A).
- the lower centre mountings (B).
- the side mountings (C).

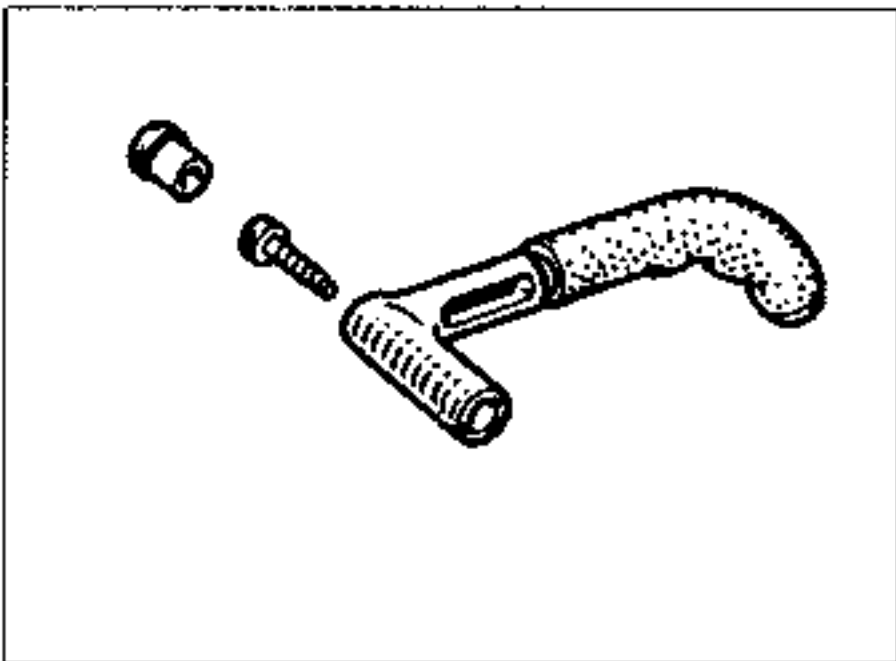
When refitting, ensure the plastic clip (D) is correctly positioned.



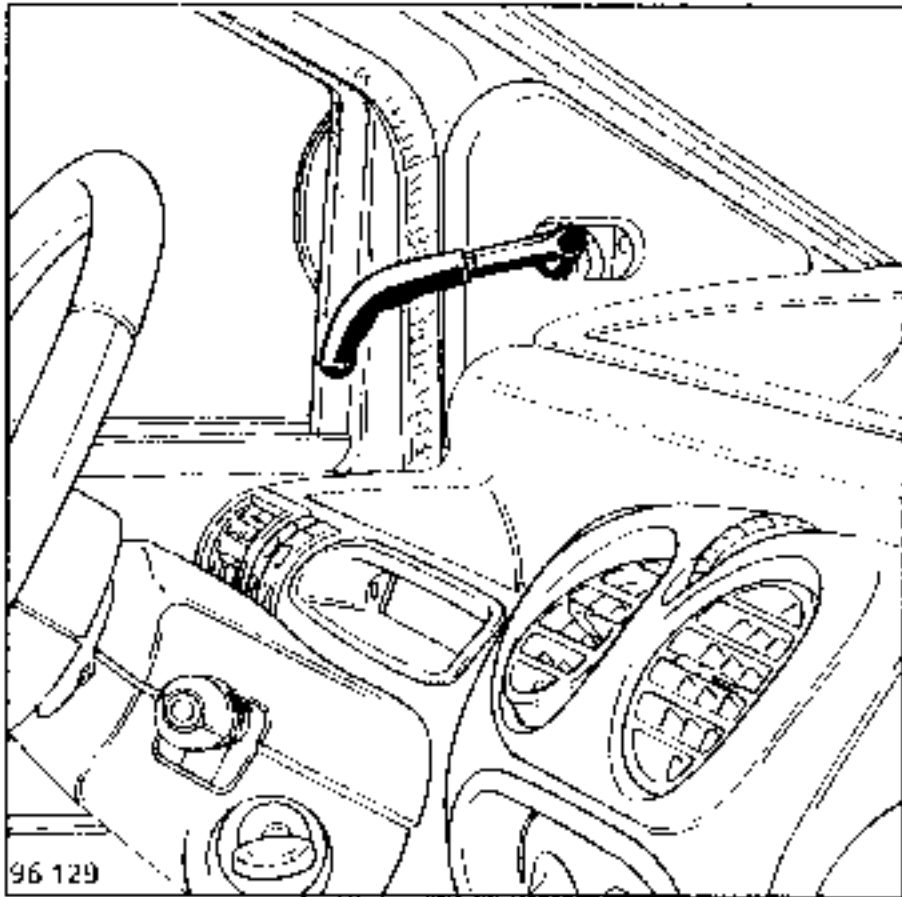
Remove the interior mountings (A).



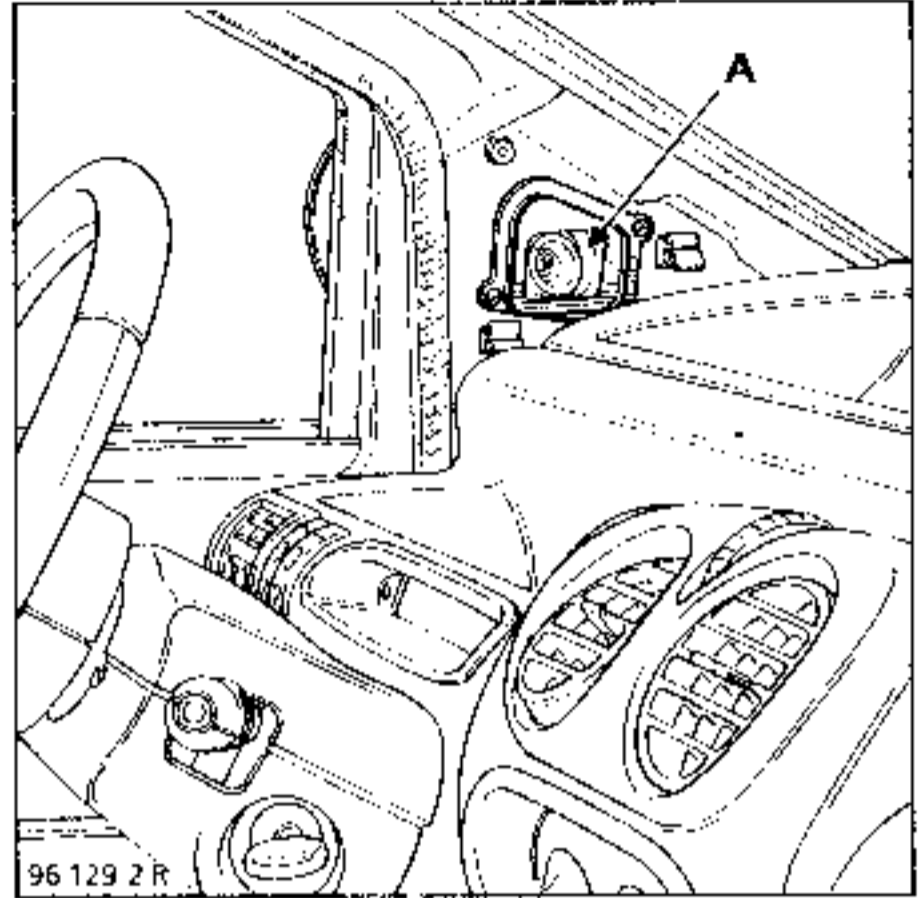
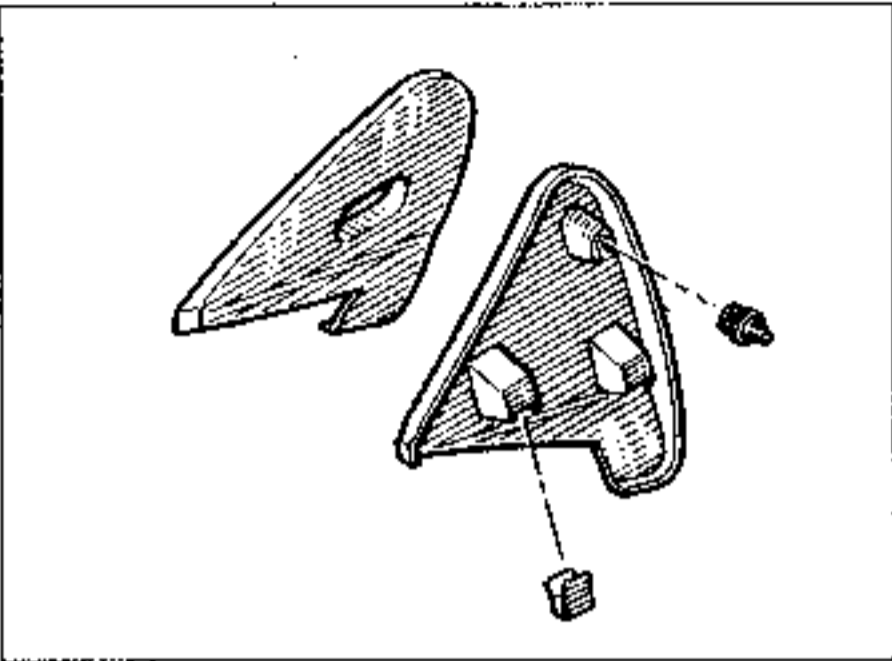
REMOVAL



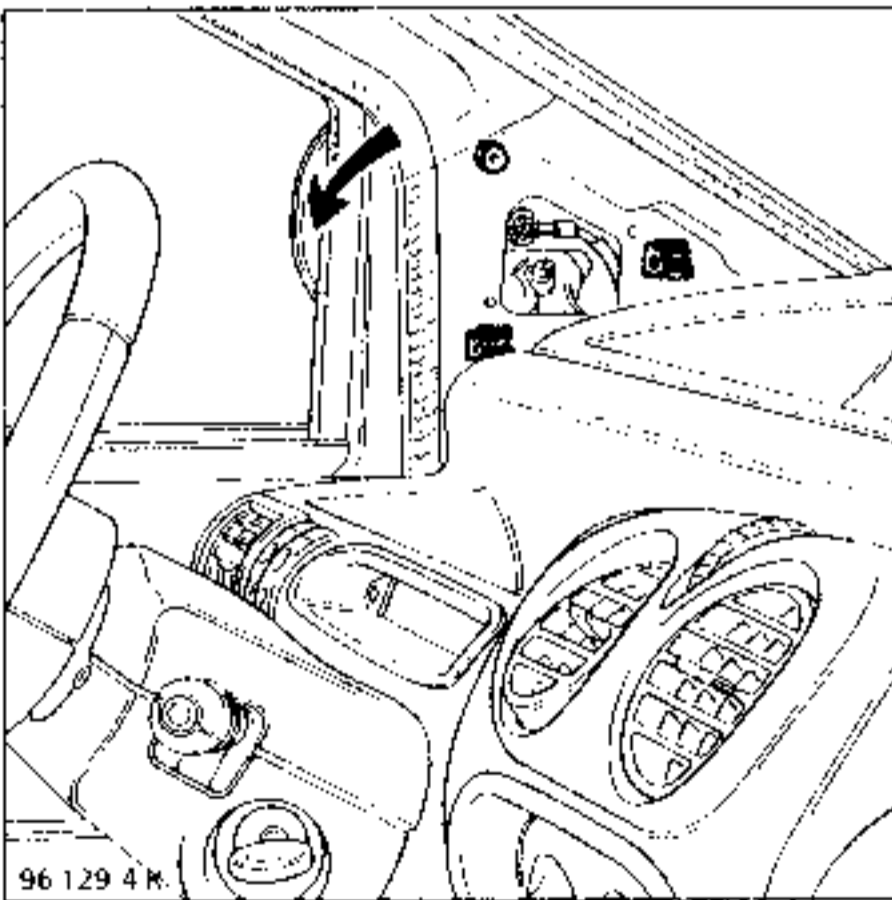
Remove the screw cover on the handle



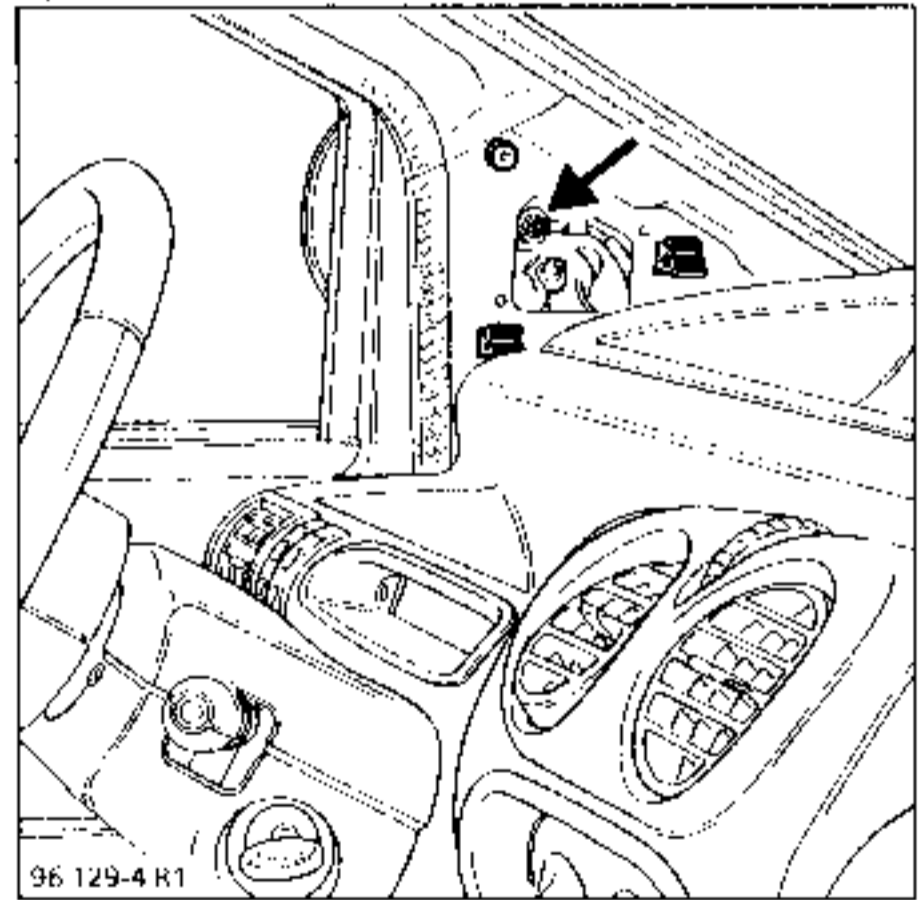
96 129
Remove screw (A), Torx 20 and remove the handle.



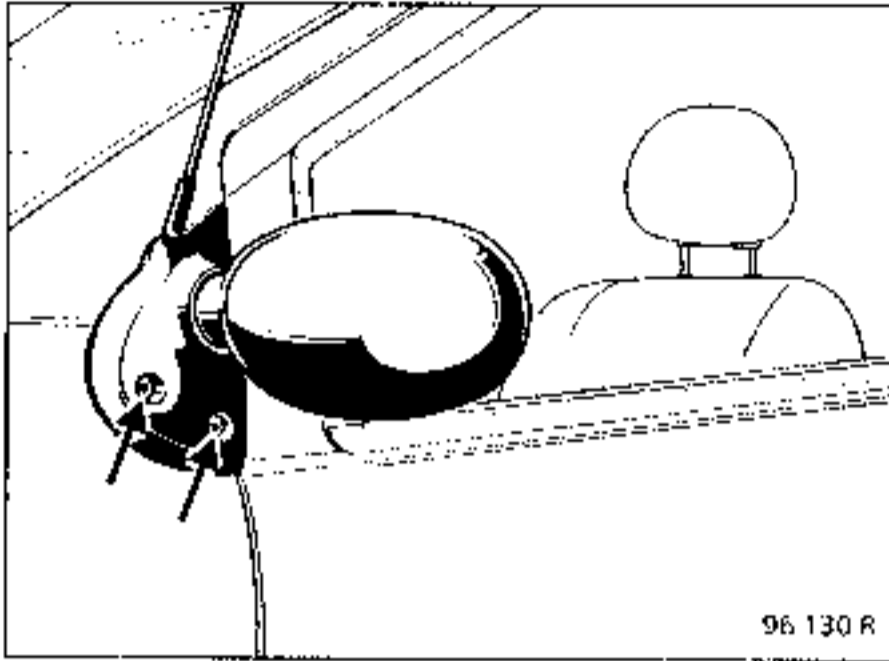
Remove the inner plastic section (A) and the seal.



Partially remove the door seal.
Carefully unclip the inner trim twisting it as shown above.

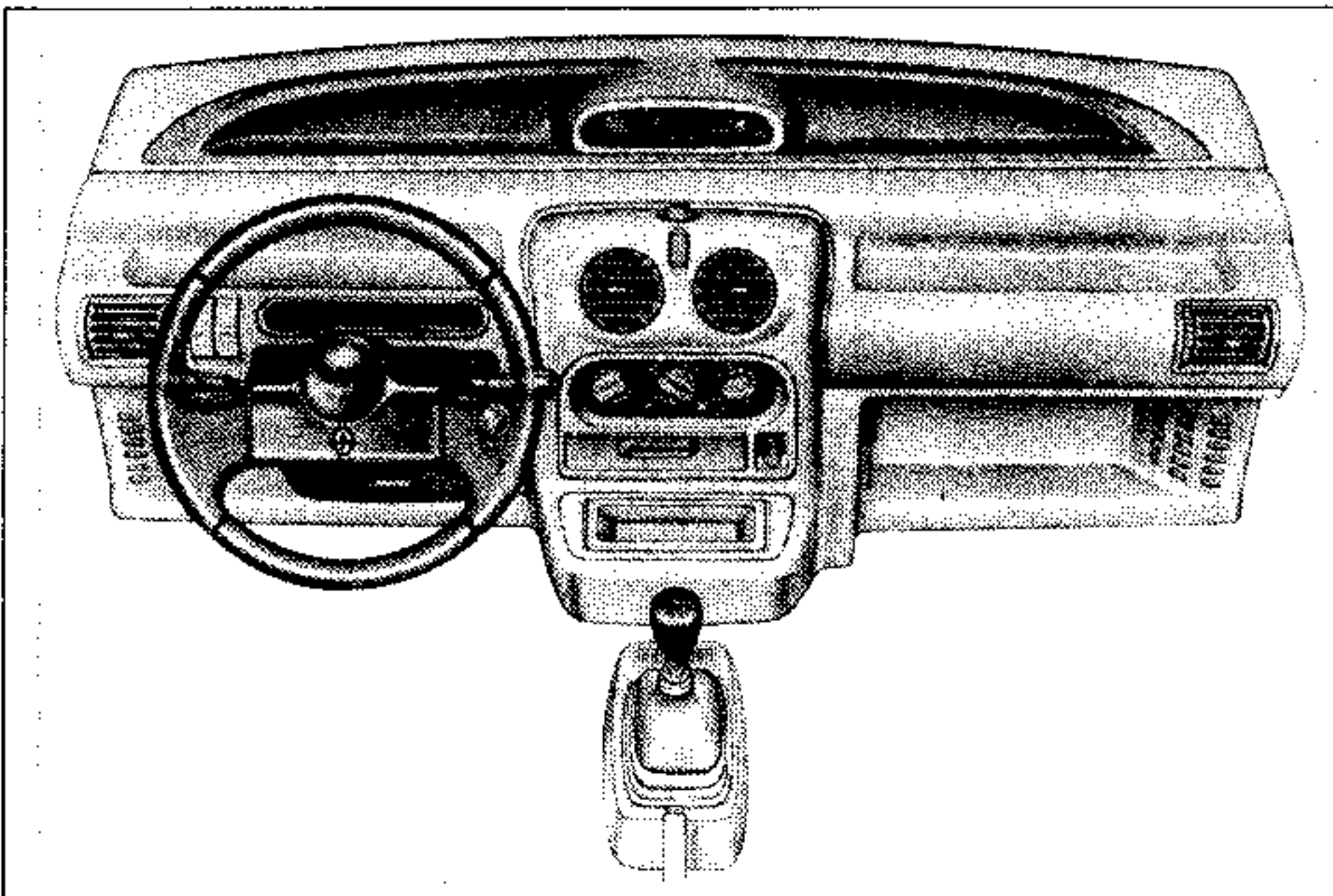


Remove the inner mounting (aerial wire).



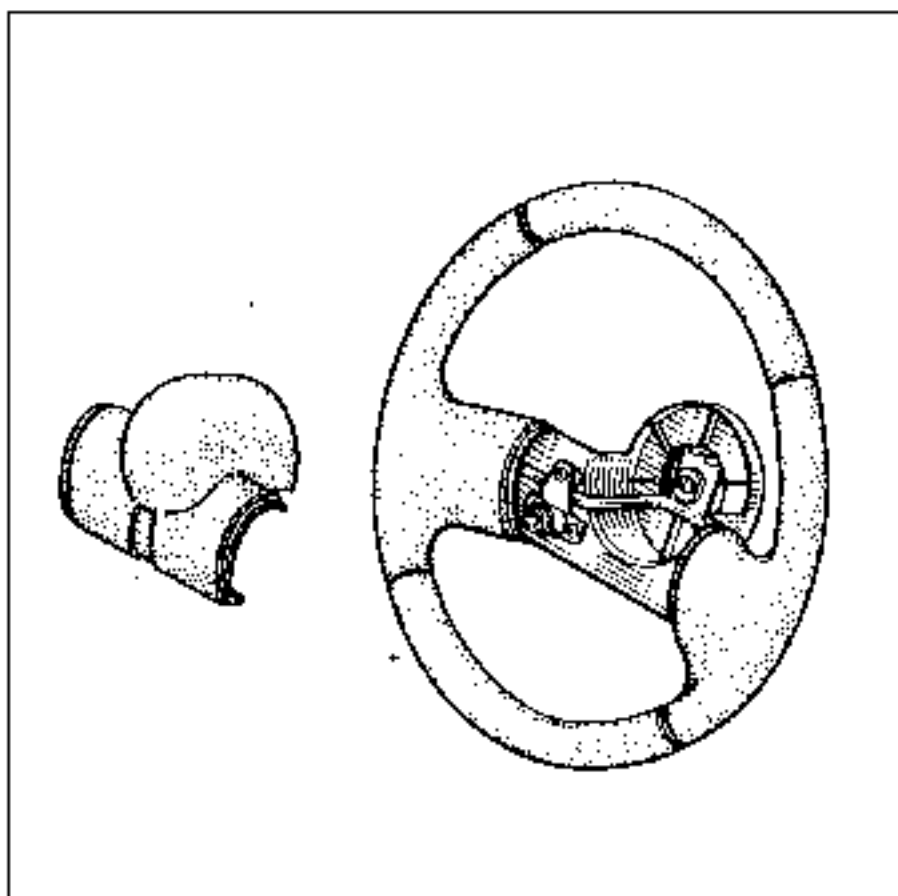
Remove the external mountings.

REFITTING:
Do not forget to reconnect the aerial wire.

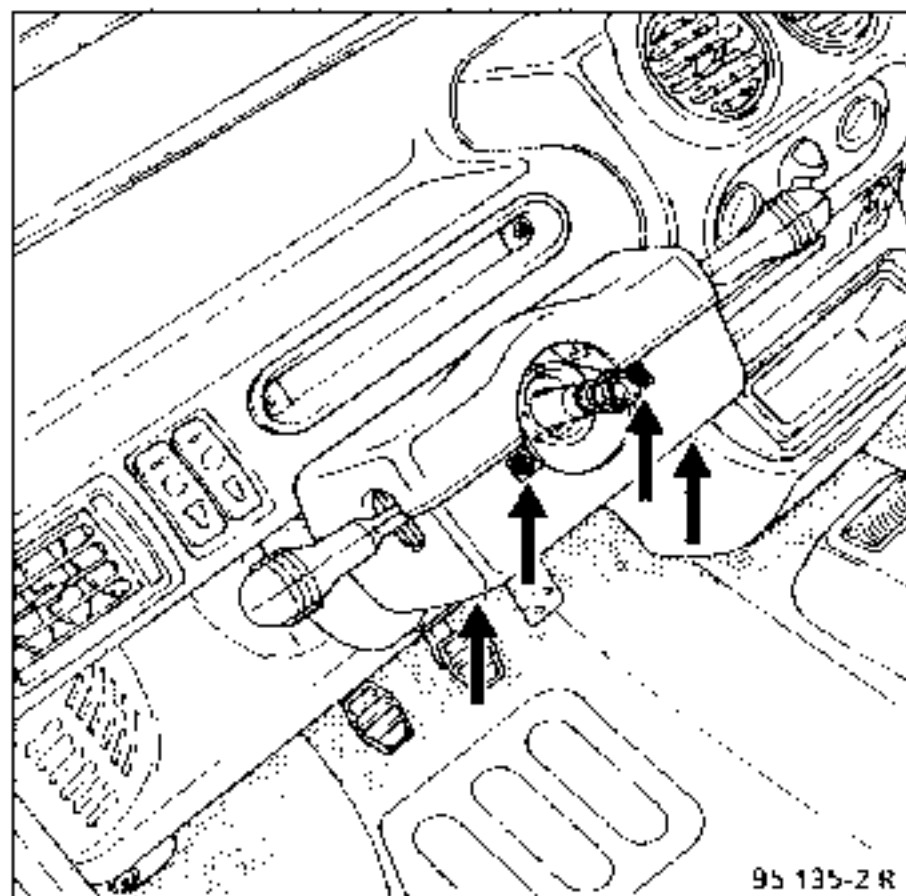


Disconnect the battery.

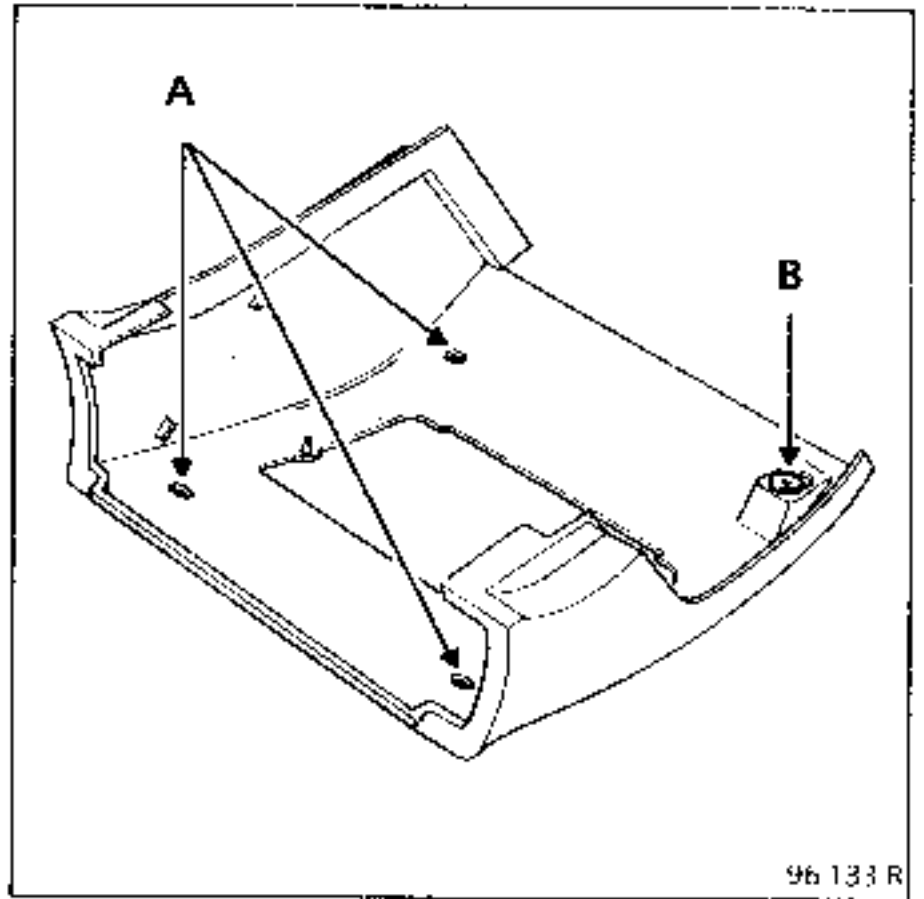
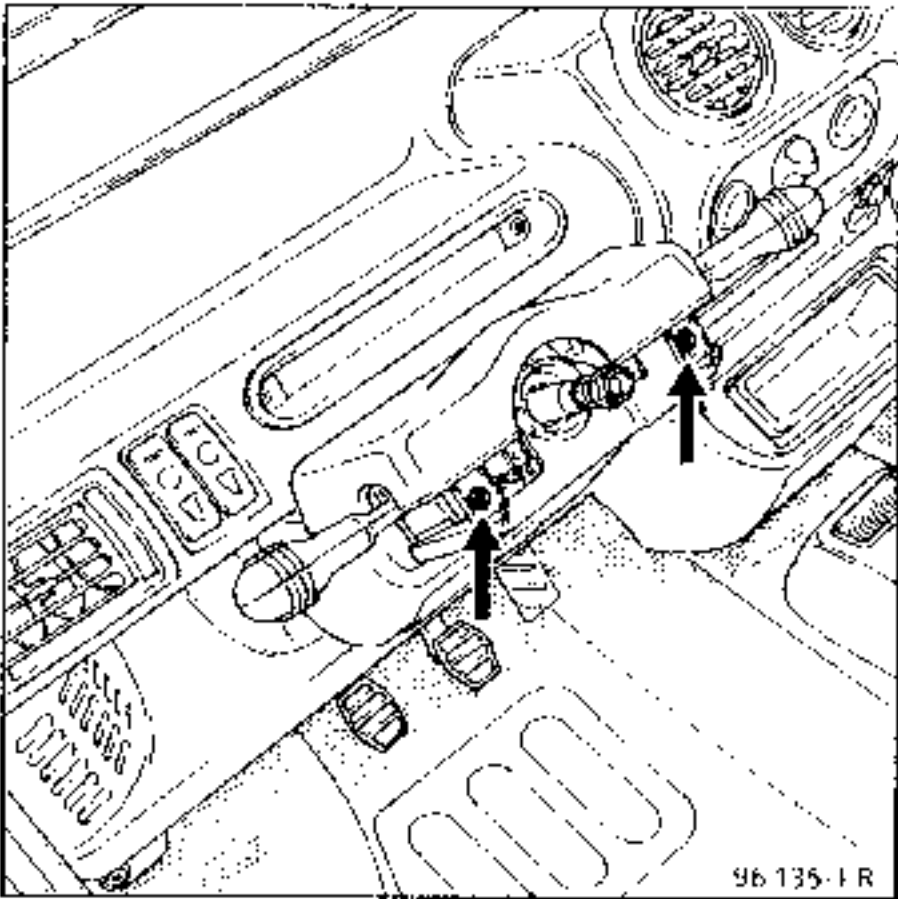
REMOVAL



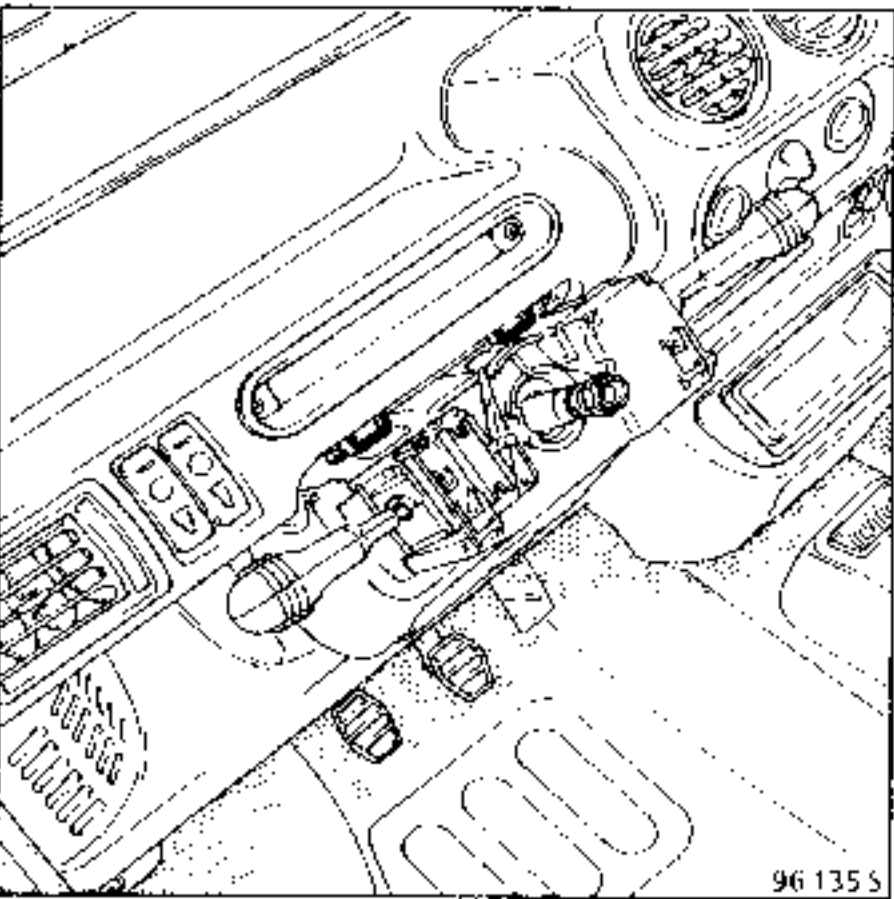
Remove the steering wheel having marked its position.



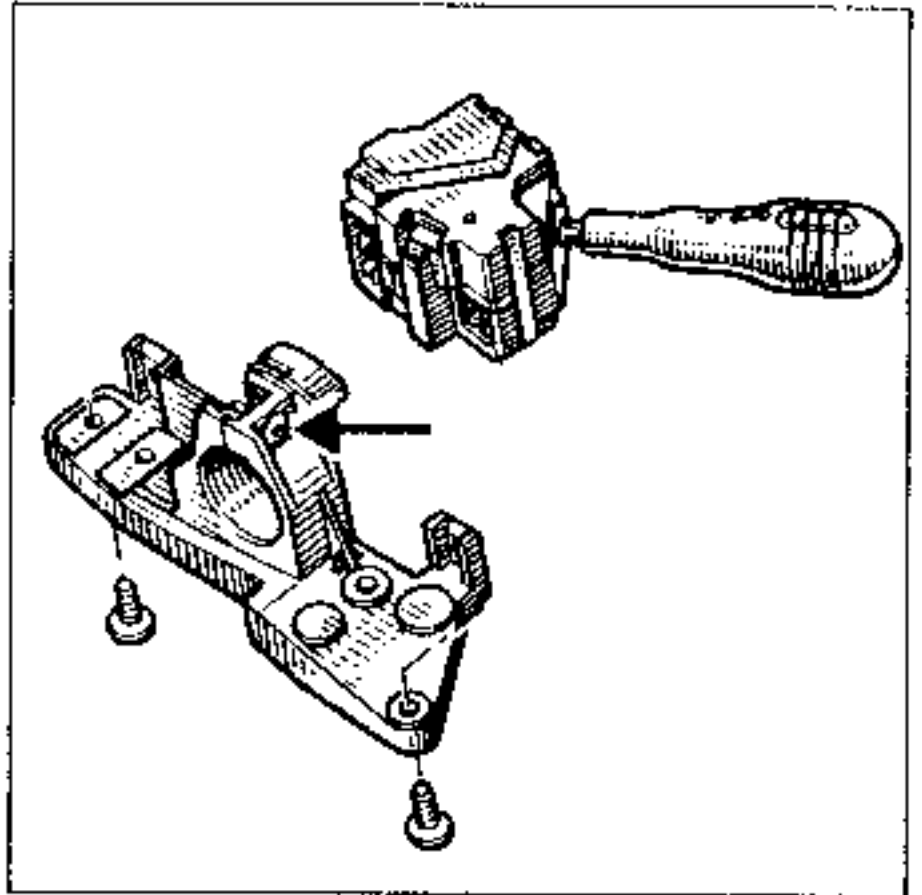
Remove the cowling under the steering wheel (Torx 20 bolt)



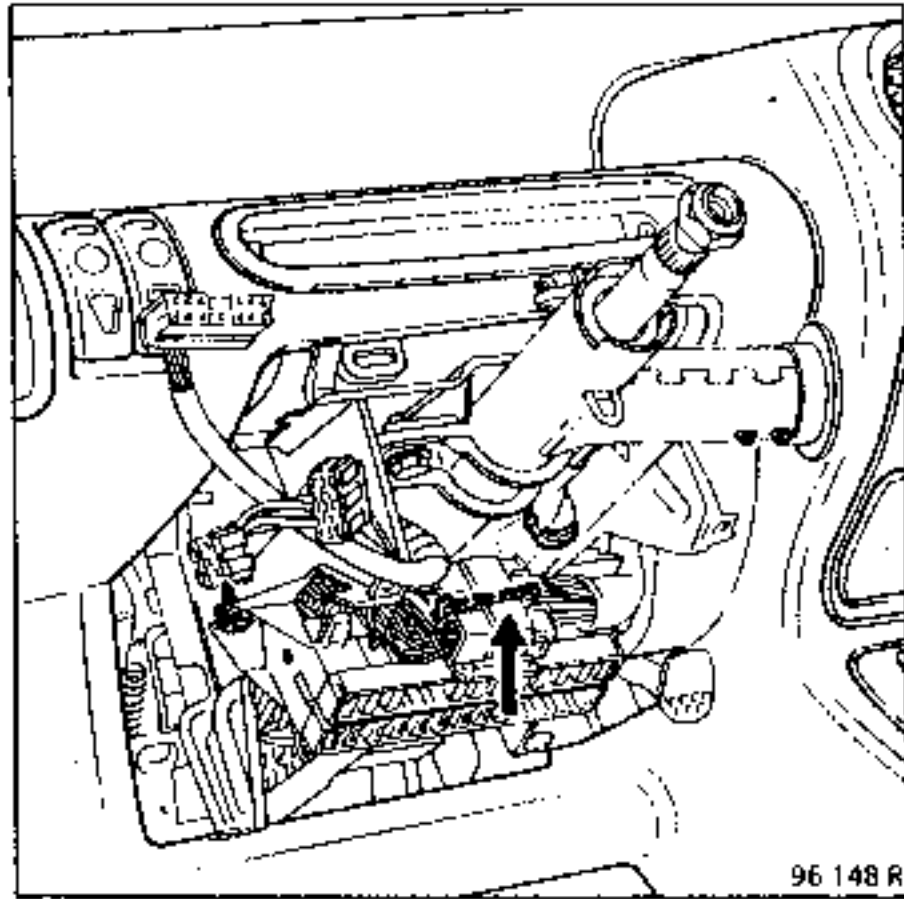
Remove the steering column cover (310rx bolts (A) and clip (B)).



Remove the upper cowling.

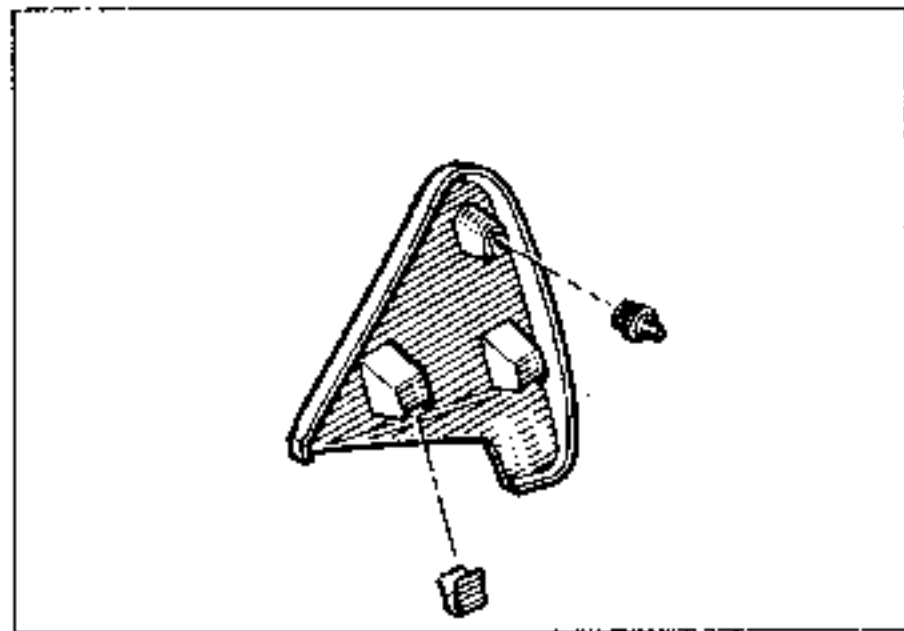
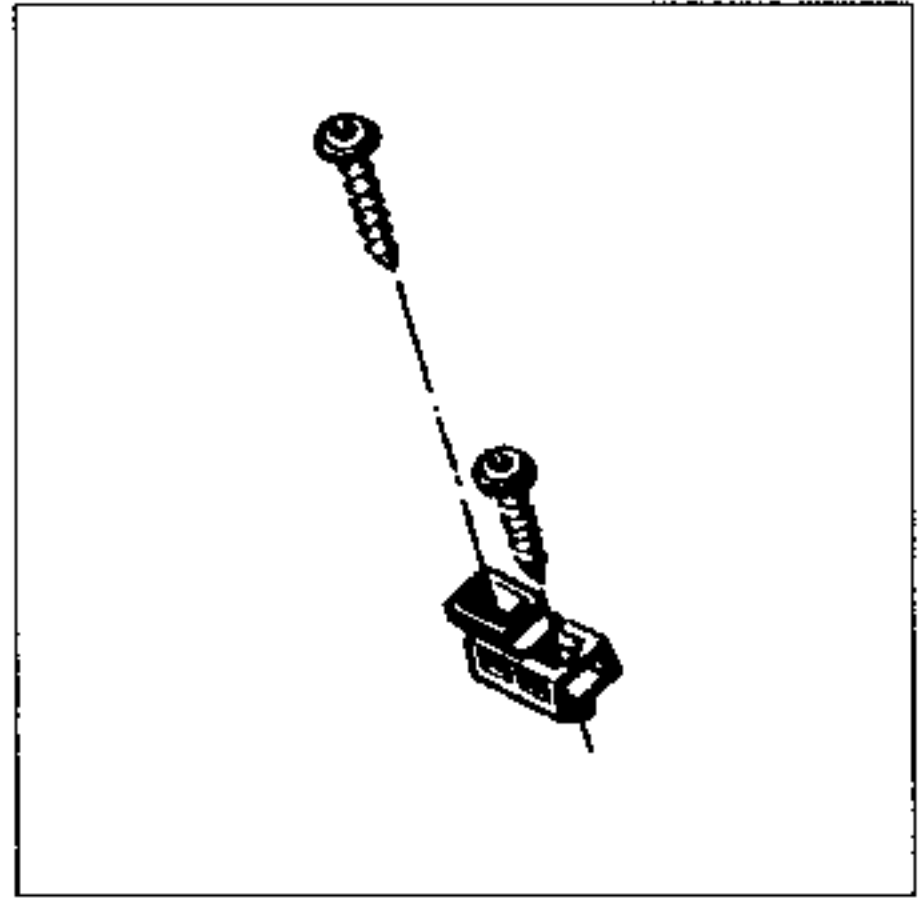


Remove the lighting control (one bolt)

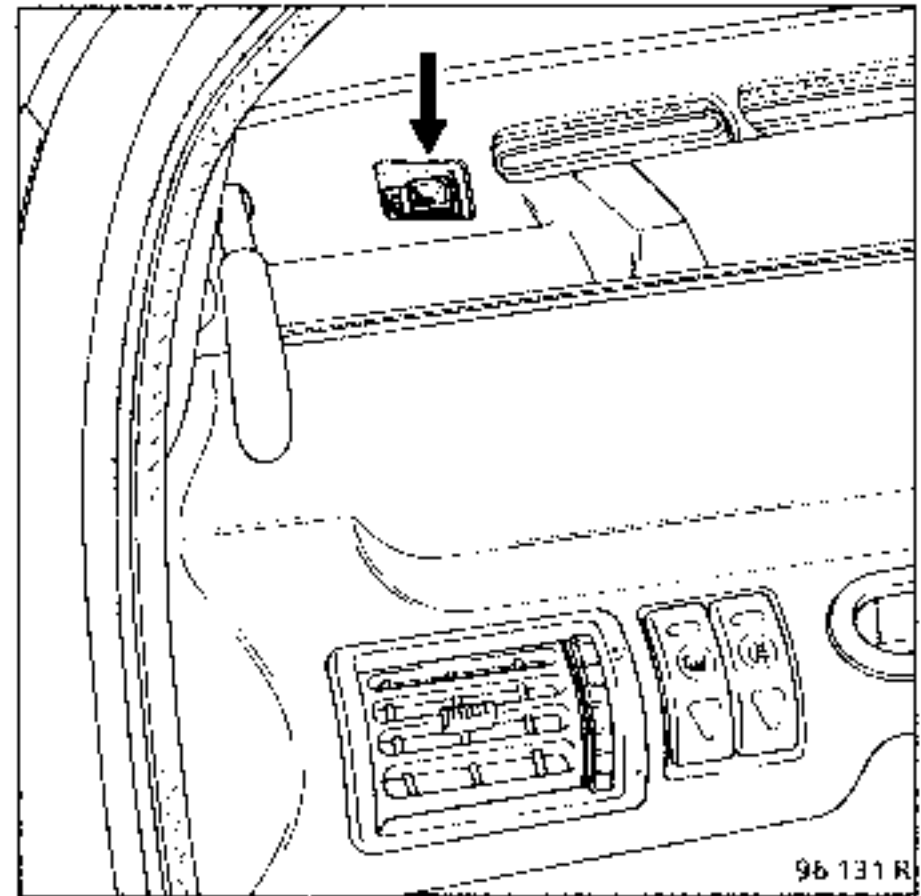


96 148 R

Disconnect the main wiring harness.

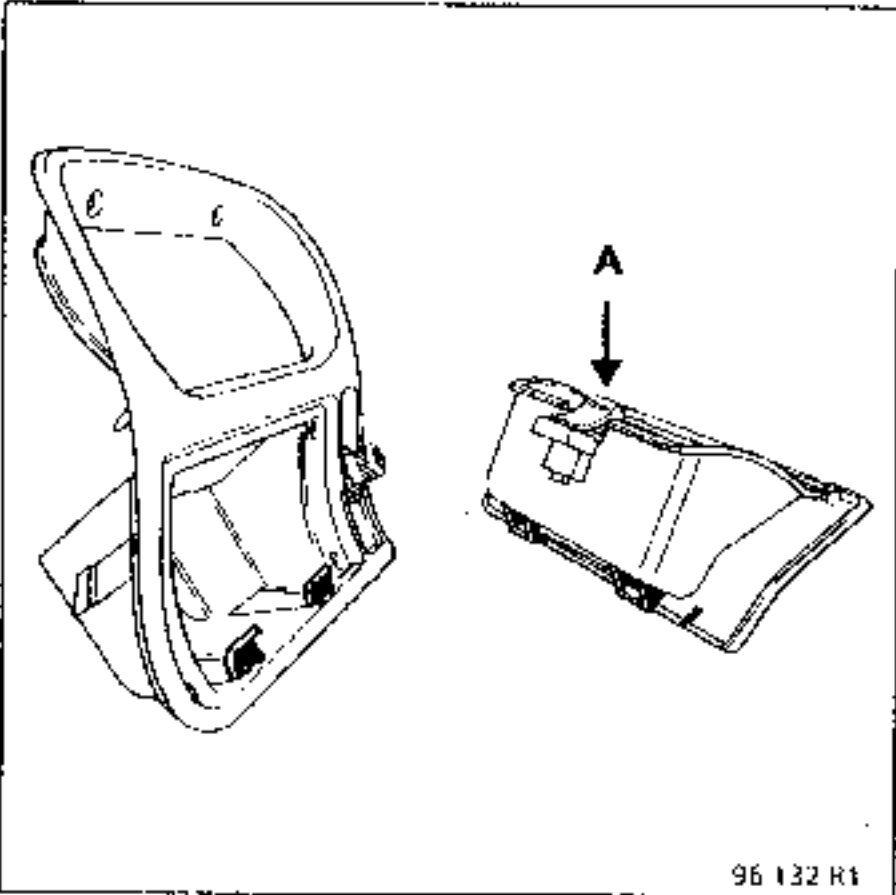


Remove or protect the inner rear view mirror trim (D).

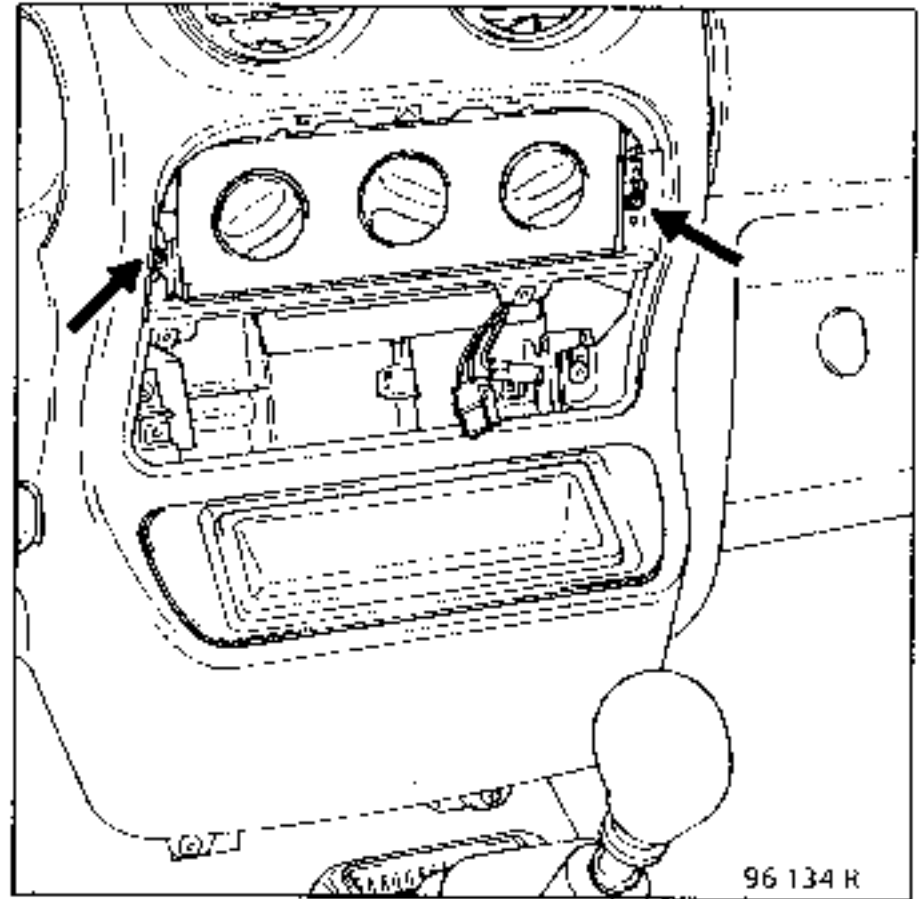


96 131 R

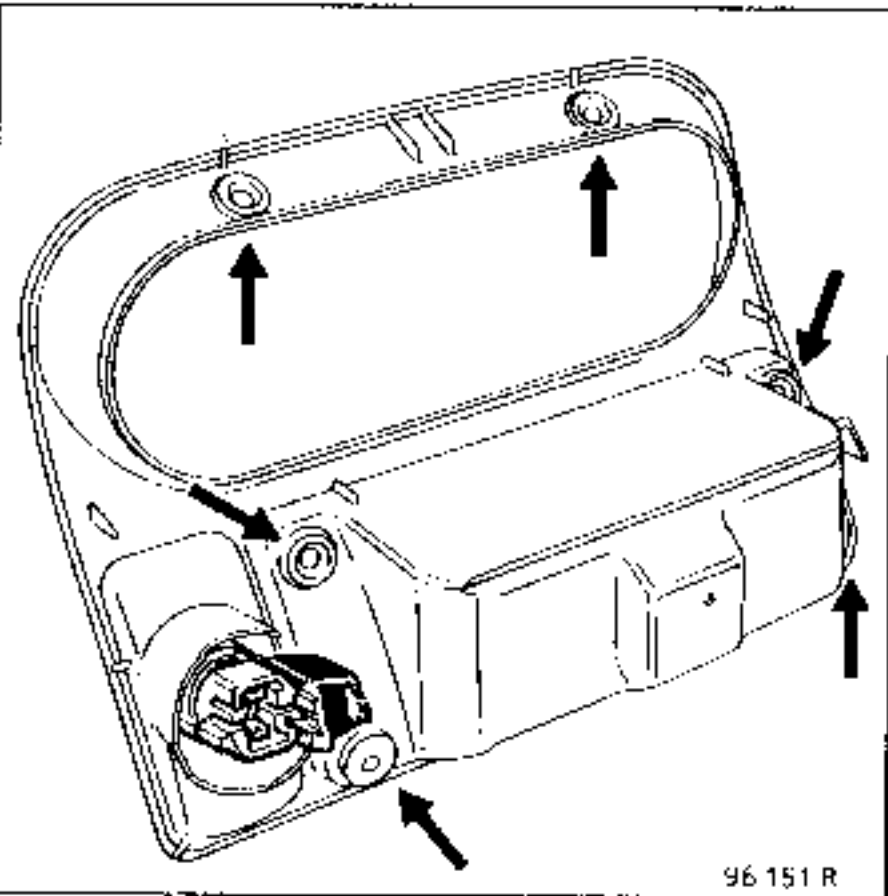
Remove the upper section of the dashboard (3 Torx 20 bolts).
Clips (C) slide to allow the central section of the dashboard to be aligned correctly.



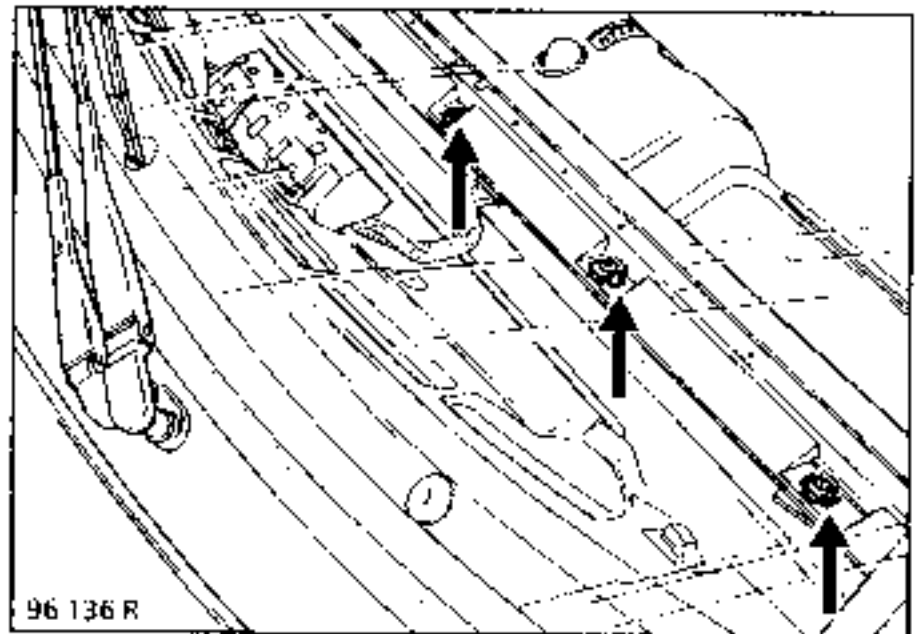
Press tab (A).
Remove the ashtray.



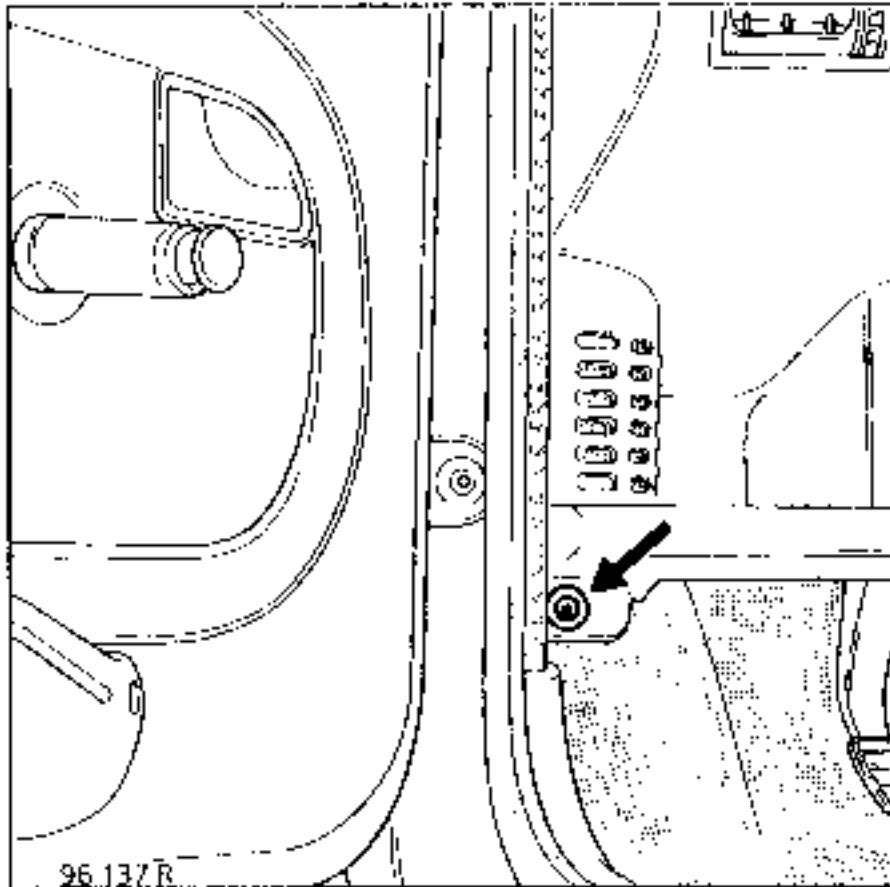
Remove the heating control unit bolts (2 Torx 20 bolts).



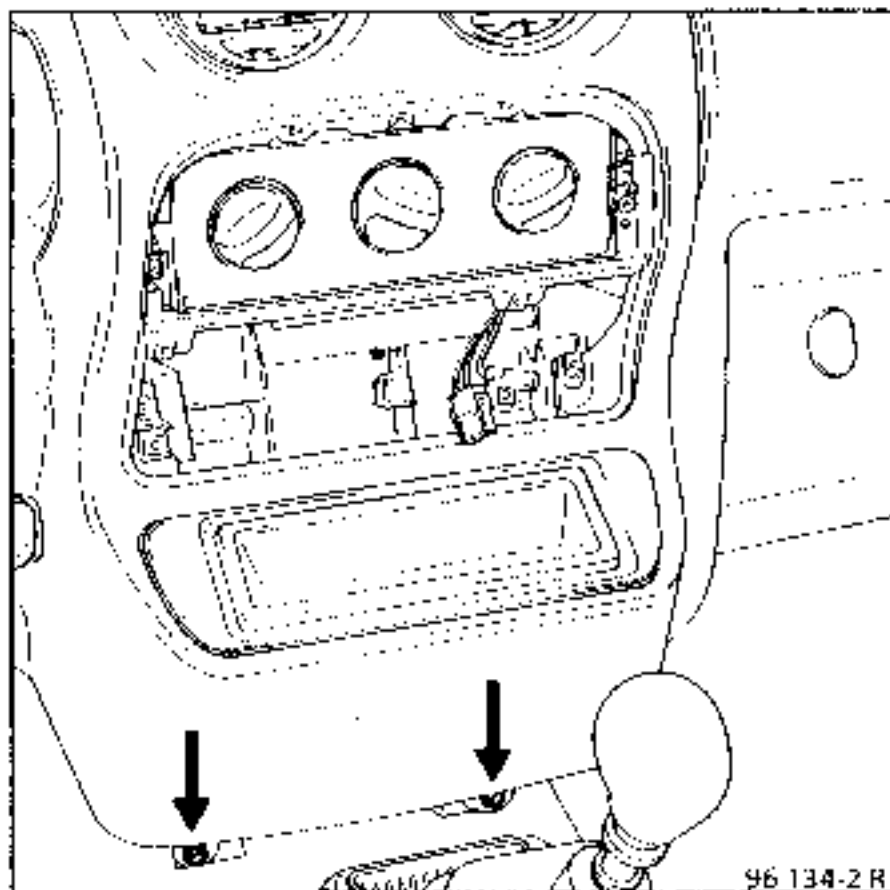
Remove the front panel of the heating unit (six bolts)



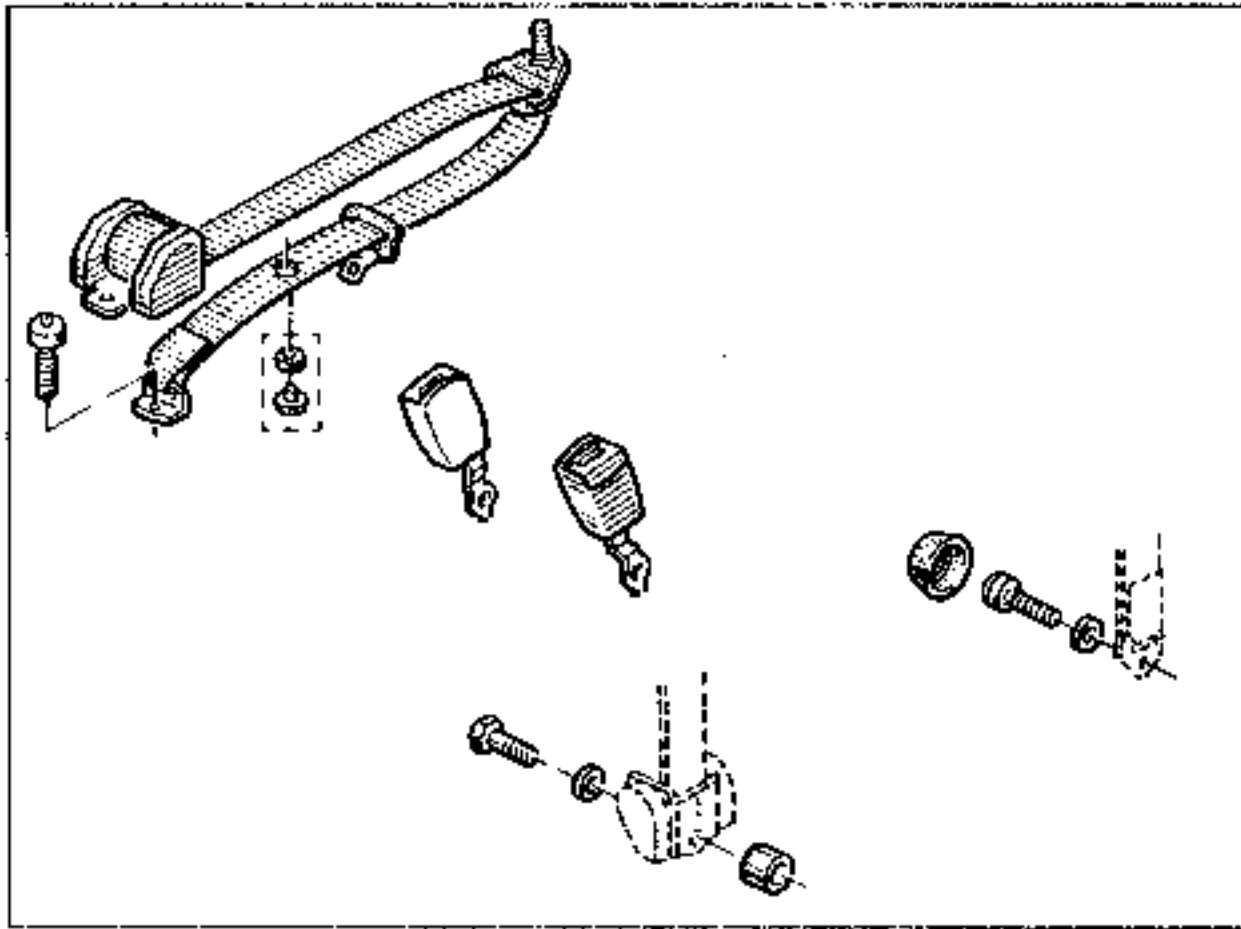
Remove the upper dashboard mountings. (5 bolts)



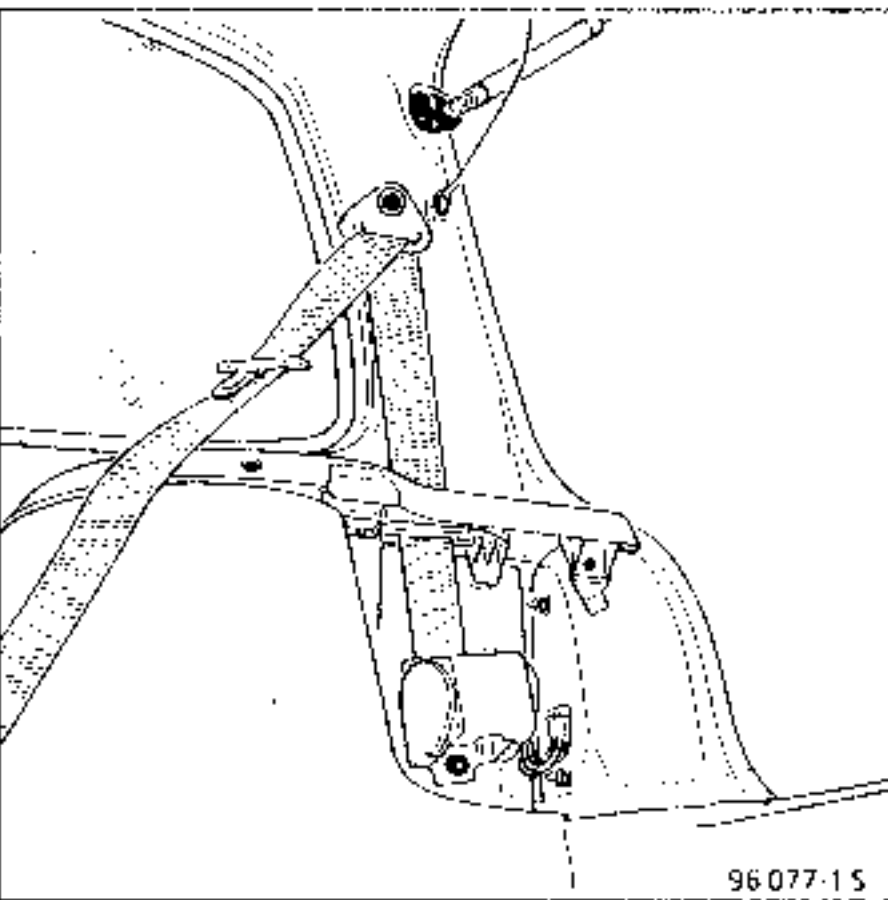
Remove the lower side mountings (one bolt on each side)



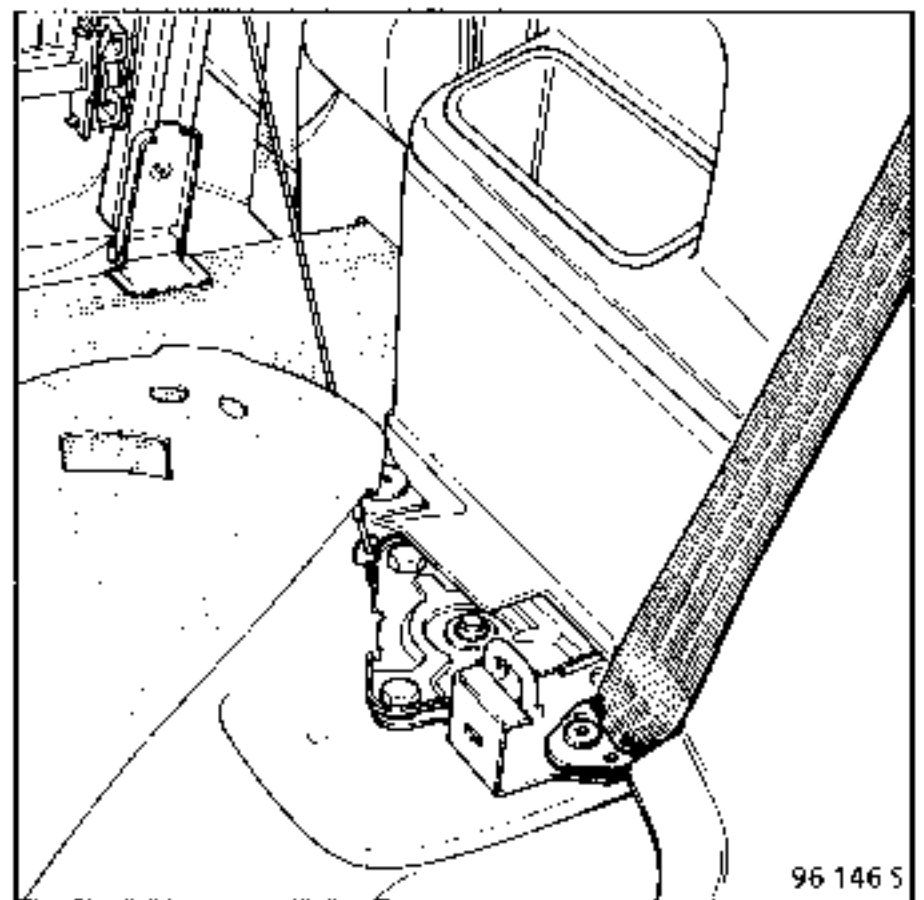
Remove the two mountings in the centre at the bottom of the dashboard
Disconnect the wiring harness and remove the dashboard carefully.



REMOVAL



Remove the upper mounting and the mounting for the inertia reel.



Having lifted the luggage compartment carpet, remove the mounting on the rear floor.

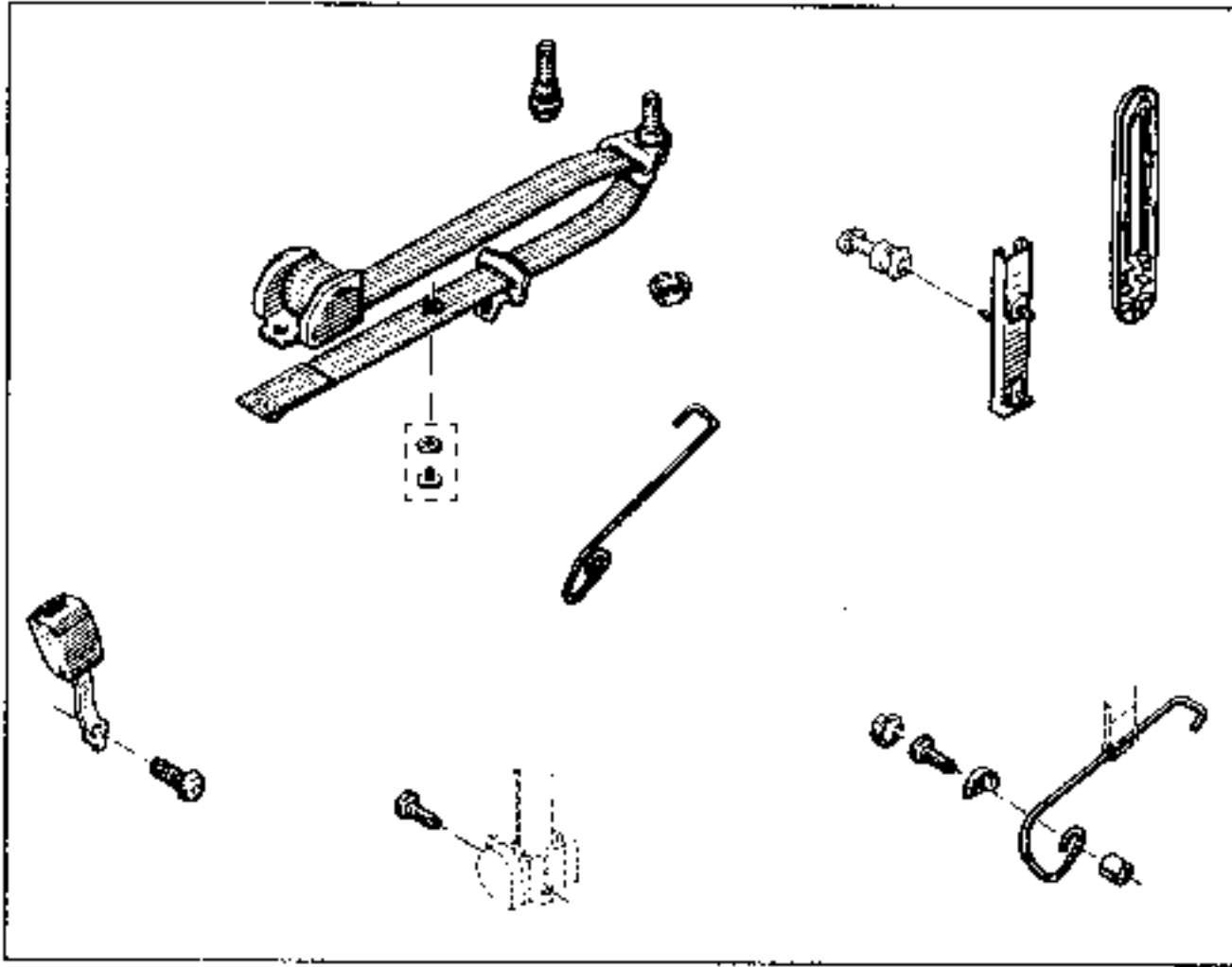
NOTE: When removing the seat belt stem, consult chapter 79. (Locking the rear bench seat)

TIGHTENING TORQUES (in daN.m)

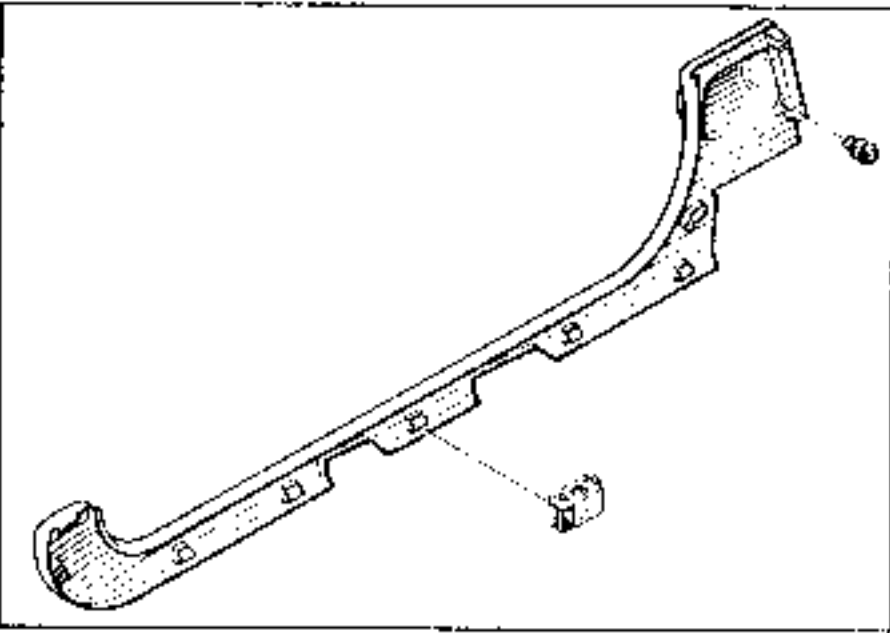


Seat belt mounting nuts

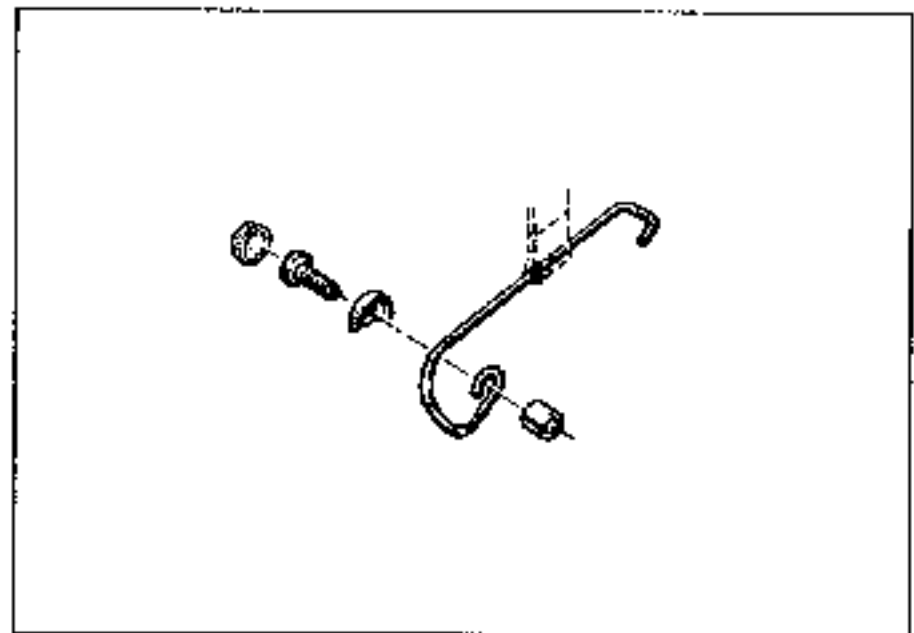
18



REMOVAL



- Remove:
- the sill trim on the side in question so access is gained to the inertia reel. (one bolt (A) and five clips (B))
 - the inertia reel mounting.



Remove the mounting from the sill.

| TIGHTENING TORQUES (in daN.m) | |
|-------------------------------|----|
| Seat belt mounting nuts | 18 |

